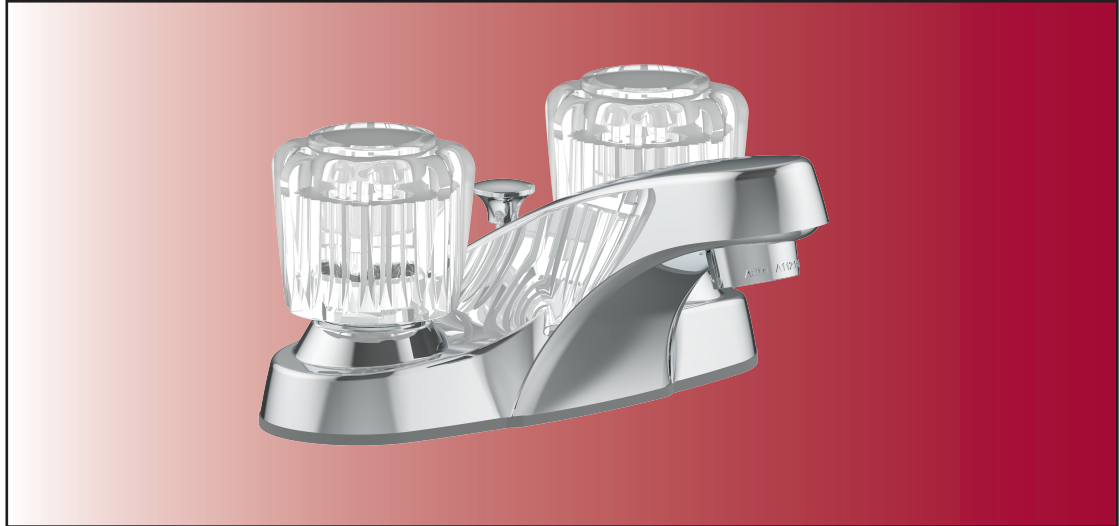


□ **P4C-402C**



## ***Two - Handle Lavatory Faucet***



### **FEATURES & BENEFITS**

- This Product Contains Less Than 0.25% Weighted Average Lead Content On Wetted Surfaces
- Metal Pop-Up
- Ceramic Cartridge
- Quick Install Nuts
- Max Flow Rate 1.2 gpm (4.5L/min) at 60 psi (ASME A112.18.1/A112.18.1)

P4C-402C  
Chrome Finish

### **Approvals:**

#### **Meets or Exceeds The Following:**

- \* ANSI/ASME A112.18.1/A112.18.1
- \* NSF/ANSI 61 - Sec. 9
- \* NSF/ANSI 372
- \* IAPMO/cUPC
- \* CA AB1953
- \* ADA Compliant
- \* EPA WaterSense
- \* NSF/ANSI/CAN 61:Q ≤ 1



**TEL:** 855-806-0688

**FAX:** 845-350-4043

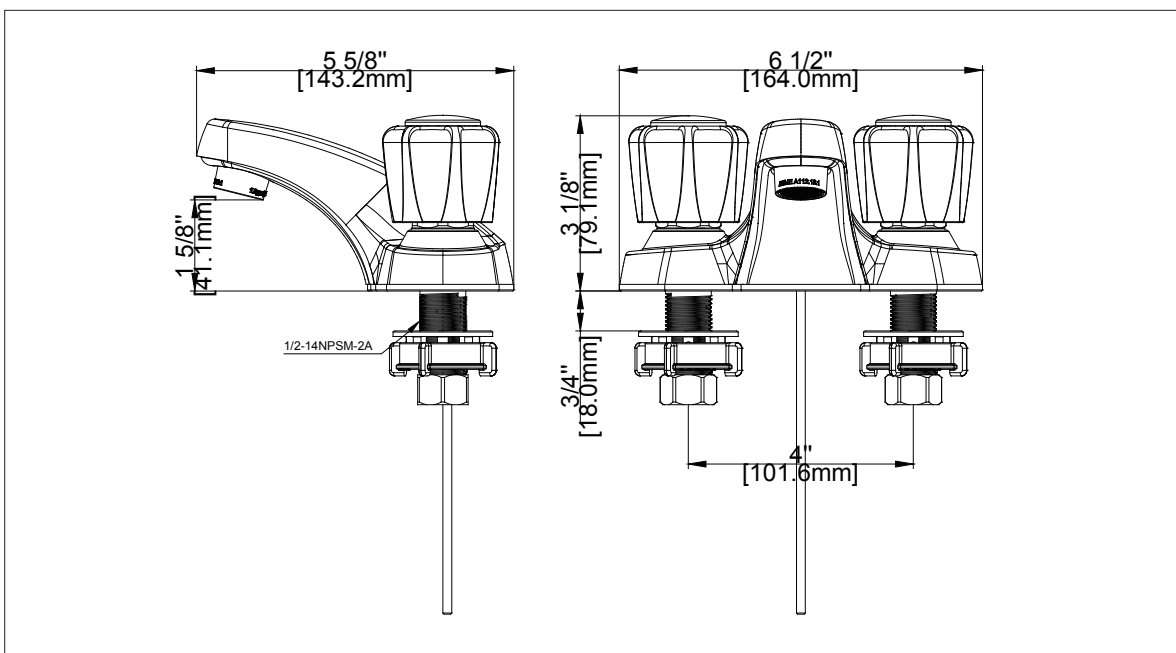
Visit Our Web Site : [www.plumb4orce.com](http://www.plumb4orce.com)

**Product Spec Sheet**

# Two - Handle Lavatory Faucet

No.	Name	Part No.
1	Index H / Índice H	RP10028
2	Index C / Índice C	RP10029
3	Screw / Tornillo	RP50013
4	Handle / Llave	RP13305
5	Bonnet / Bonete	RP70678
6	Washer / Arandela	RP64254
7	Cartridge / Cartucho	RP22010
8	Seat & Spring / Base y resorte	RP22008
9	Gasket / Junta	RP80751
10	Aerator / Aireado	RP30190*
11	Easy install nut / Tuerca fácil de instalar	RP56095
12	Coupling nut / Tuerca de acoplamiento	RP56002
13	Lift rod & Lift Rod knob / Perilla de la varilla de extensión & Varilla de elevación	RP40006*
14	Pop-up Assembly Less Lift Rod / AEnsamble del Desagüe Automático Menos la Barra de Alzar	RP40001*

\* Specify Finish  
\* Especifique el Acabado



**Product Spec Sheet**