

□ **P4L-140C**

□ **P4L-140SS**



Single Handle Kitchen Faucet

Product Spec Sheet



FEATURES & BENEFITS

- This Product Contains Less Than 0.25% Weighted Average Lead Content On Wetted Surfaces
- Two Hole or Four Hole Installation
- Metal Lever Handle
- Ceramic Cartridge
- Optional Deckplate Included
- Side Spray
- Max Flow Rate 1.5 GPM (5.7L/Min) At 60 PSI (ASME A112.18.1/A112.18.1)

Approvals:

Meets or Exceeds The Following:

- * ASME A112.18.1/CSA B125.1
- * NSF/ANSI 61
- * NSF/ANSI 372
- * IAPMO/cUPC
- * CA AB1953
- * ADA Compliant
- * NSF/ANSI/CAN 61: $Q \leq 1$

P4L-140C
Chrome Finish

P4L-140SS
Stainless Steel Finish



TEL: 855-806-0688

FAX: 845-350-4043

Visit Our Web Site : www.plumb4orce.com

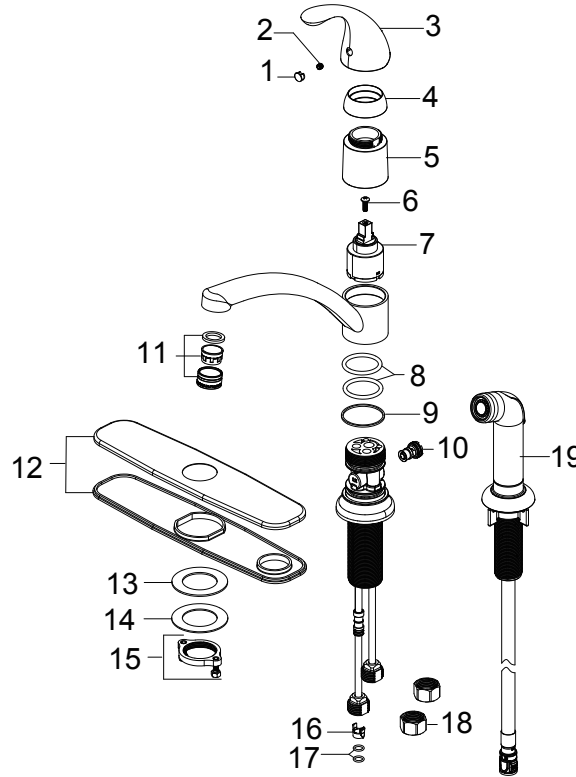
P4L-140C

P4L-140SS

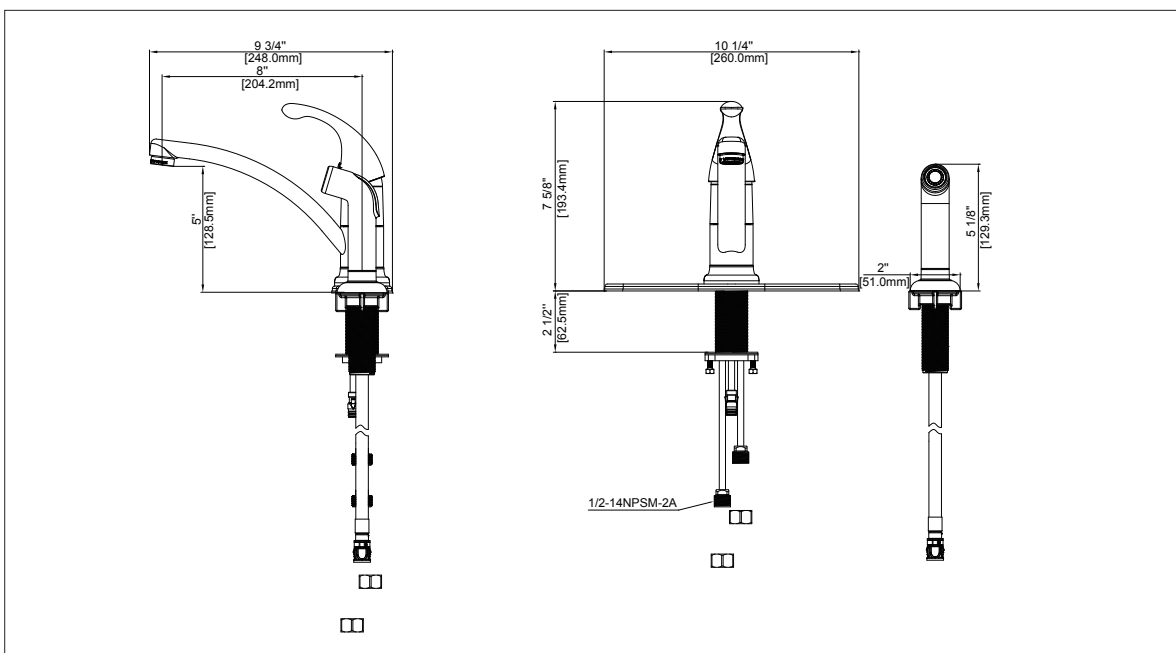


Single Handle Kitchen Faucet

No.	Name	Part No.
1	Index / Índice	RP10006
2	Set screw / Tornillo de fijación	RP50002
3	Handle / Llave	RP13761*
4	Cap / Tapa	RP80004
5	Bonnet / Bonete	RP70309
6	Screw / Tornillo	RP50015
7	Cartridge / Cartucho	RP20044
8	O-ring / A rotórico	RP60032
9	Washer / Arandela	RP64070
10	Diverter / Desviador	RP70037
11	Aerator / Aireado	RP30094*
12	Escutcheon / Placa protectora	RP80605*
13	Rubber washer / A arandela de hule	RP64253
14	Metal washer / Arandela metálica	RP64024
15	Nut & Screw / Tuerca y Tornillo	RP56123
16	Block / Bloque	RP70421
17	O-ring / Aro tórico	RP60002
18	Coupling nut / Tuerca de acoplamiento	RP56002
19	Side spray / Rociador lateral	RP36115*



* Specify Finish
* Especifique el Acabado



Product Spec Sheet

TEL: 855-806-0688 FAX: 845-350-4043

Visit Our Web Site : www.plumb4orce.com