

- P4B-500C** **P4B-500BN**
 P4B-500ORB

Single Handle Lavatory Faucet



Product Spec Sheet

FEATURES & BENEFITS

- This Product Contains Less Than 0.25% Weighted Average Lead Content On Wetted Surfaces
- Metal Lever Handle
- Ceramic Cartridge
- Brass Pop-up
- Single Hole Or Three Hole Installation
- Max Flow Rate 1.2 gpm (4.5 L/min) at 60 psi (ASME A112.18.1M/A112.18.1)

P4B-500C
 Chrome Finish

P4B-500BN
 Brushed Nickel Finish

P4B-500ORB
 Oil Rubbed Bronze Finish

APPROVALS:

Meets or Exceeds The Following:

- * ANSI/ASME A112.18.1M/A112.18.1
- * NSF/ANSI/CAN 61 – Sec. 9: Q≤1
- * NSF/ANSI/CAN 372
- * IAPMO/cUPC
- * CA AB1953



NSF/ANSI/CAN 372
 NSF/ANSI/CAN 61 & 62



TEL: 855-806-0688

FAX: 845-350-4043

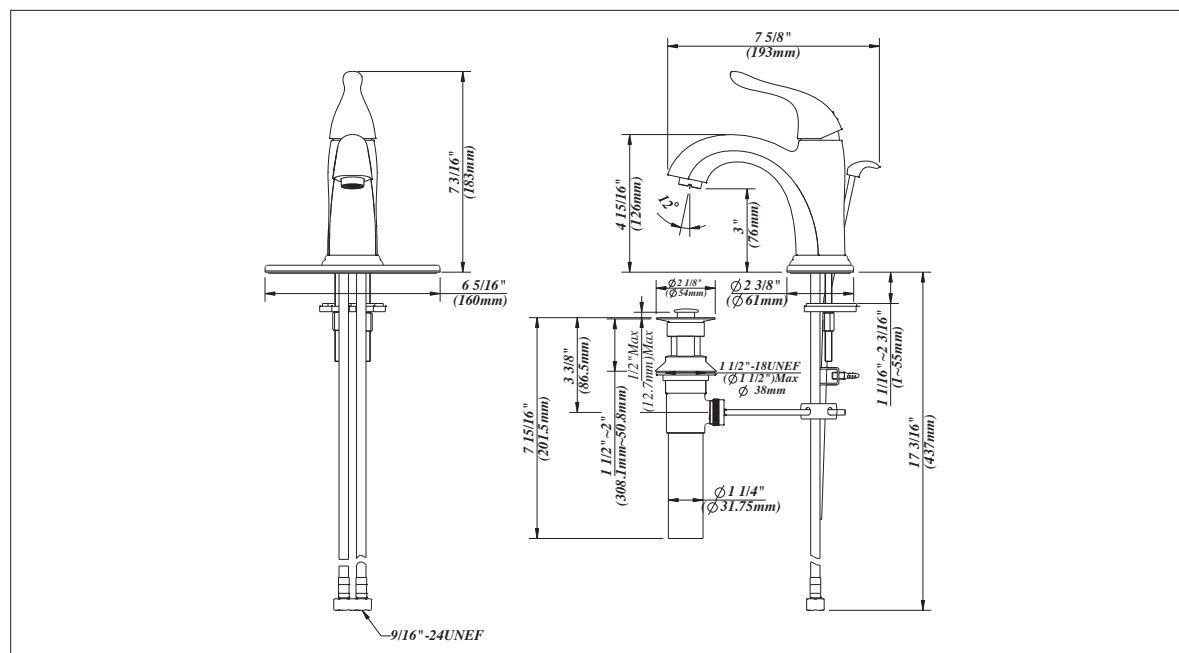
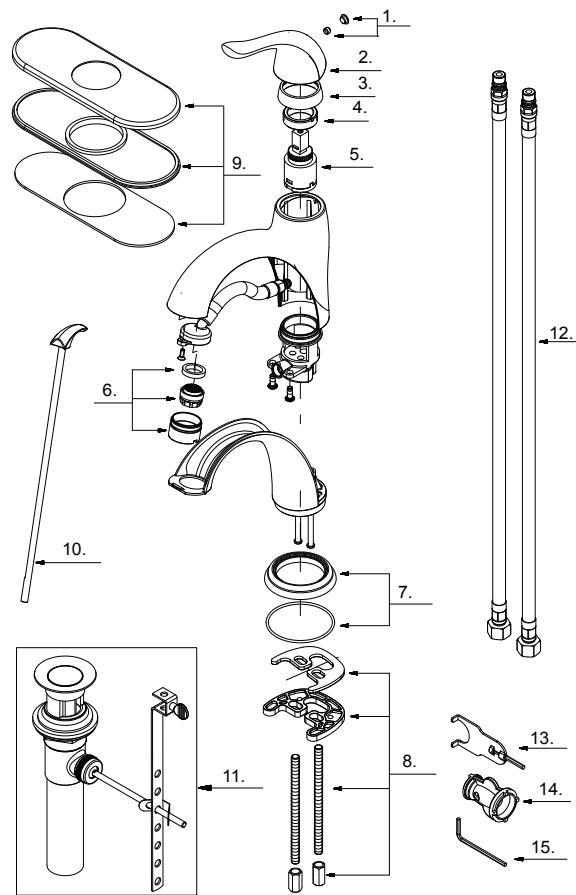
Visit Our Web Site : www.plumb4orce.com

P4B-500C **P4B-500BN**

P4B-500ORB

Single Handle Lavatory Faucet

No.	Name	Part No.
1	Index Button	A66G325
2	Metal Handle	A069215
3	Trim Cap	A103005
4	Locking Nut	A104322
5	Ceramic Disc Cartridge	A507906N
6	Aerator	A500026N-51-T
7	Spout Trim Ring	A66F537
8	Mounting Hardware Assembly	A603106
9	Cover Plate & Putty Plate	A66F594
10	Lift Rod	A124350
11	Pop-up Assembly	A505016
	Pop-up Assembly (for ORB finish)	A556200
12	Supply Hose	A105652W
13	Wrench	A031022NI
14	Aerator Wrench (20.6 * 27.4 * 40 * 36 mm)	A031245
15	Hex Wrench (H2.5 * 19 mm L * 53mmL)	A031000NI



Product Spec Sheet

TEL: 855-806-0688 FAX: 845-350-4043

Visit Our Web Site : www.plumb4force.com