

□ **P4L-151C**

□ **P4L-151SS**



Product Spec Sheet

Single Handle Pulldown Kitchen Faucet



FEATURES & BENEFITS

- This Product Contains Less Than 0.25% Weighted Average Lead Content On Wetted Surfaces
- One Hole or Three Hole Installation
- Metal Lever Handle
- Ceramic Cartridge
- Optional Deckplate Included
- Integrated Supply Lines
- Max Flow Rate 1.8 GPM (6.8L/Min) At 60 PSI (ASME A112.18.1/A112.18.1)

P4L-151C
Chrome Finish

P4L-151SS
Stainless Steel Finish

Approvals:

Meets or Exceeds The Following:

- * ASME A112.18.1/CSA B125.1
- * NSF/ANSI 61
- * NSF/ANSI 372
- * IAPMO/cUPC
- * CA AB1953
- * ADA Compliant
- * NSF/ANSI/CAN 61: $Q \leq 1$



TEL: 855-806-0688

FAX: 845-350-4043

Visit Our Web Site : www.plumb4orce.com

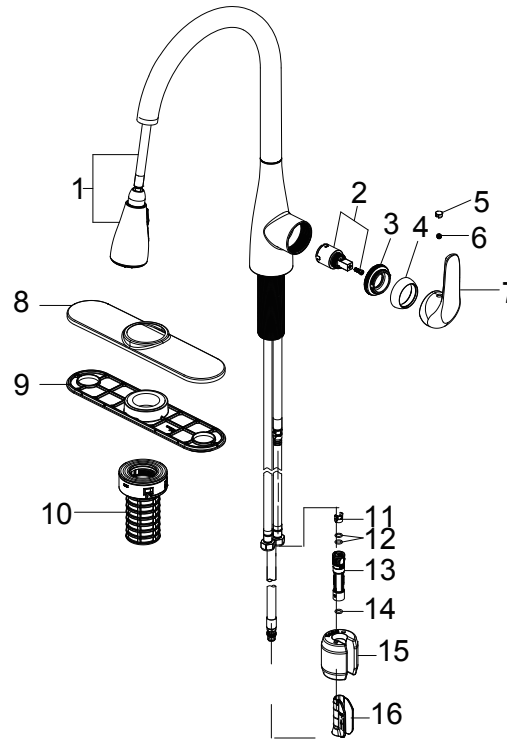
□ **P4L-151C**

□ **P4L-151SS**

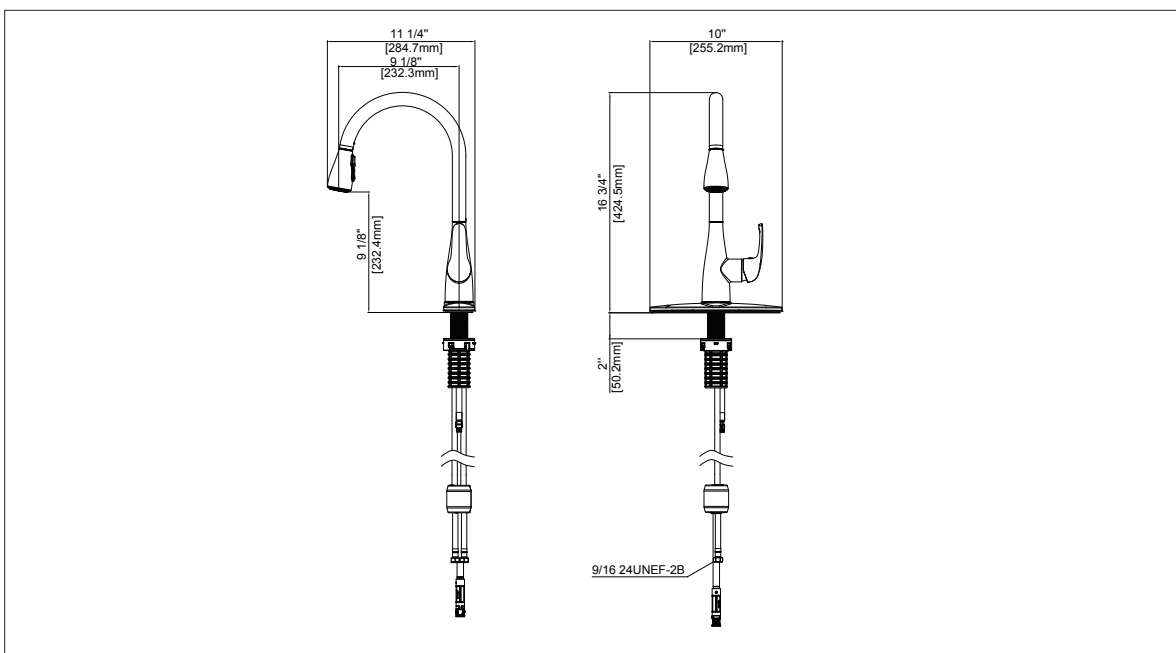


Single Handle Pulldown Kitchen Faucet

No.	Name	Part No.
1	Spray head and Hose/ Cabezal rociador y manguera	RP38502*
2	Cartridge / Cartucho	RP20103
3	Bonnet / Bonete	RP70688
4	Cap / Tapa	RP80028*
5	Index / Índice	RP10006
6	Set screw / Tornillo de fijación	RP50002
7	Handle / Llave	RP13762*
8	Escutcheon / Placa protectora	RP80745*
9	Gasket / Junta	RP80746
10	Quick install nut / Tuerca de instalación rápida	RP56096
11	Block / Bloque	RP70421
12	O-ring / Aro tórico	RP60002
13	Quick connect assembly / Ensamblaje del conector rápido	RP70429
14	O-ring / Aro tórico	RP60089
15	Weight / Peso	RP70689
16	Weight clip / Sujetador con peso	RP70590



* Specify Finish
* Especifique el Acabado



Product Spec Sheet

TEL: 855-806-0688 FAX: 845-350-4043

Visit Our Web Site : www.plumb4orce.com