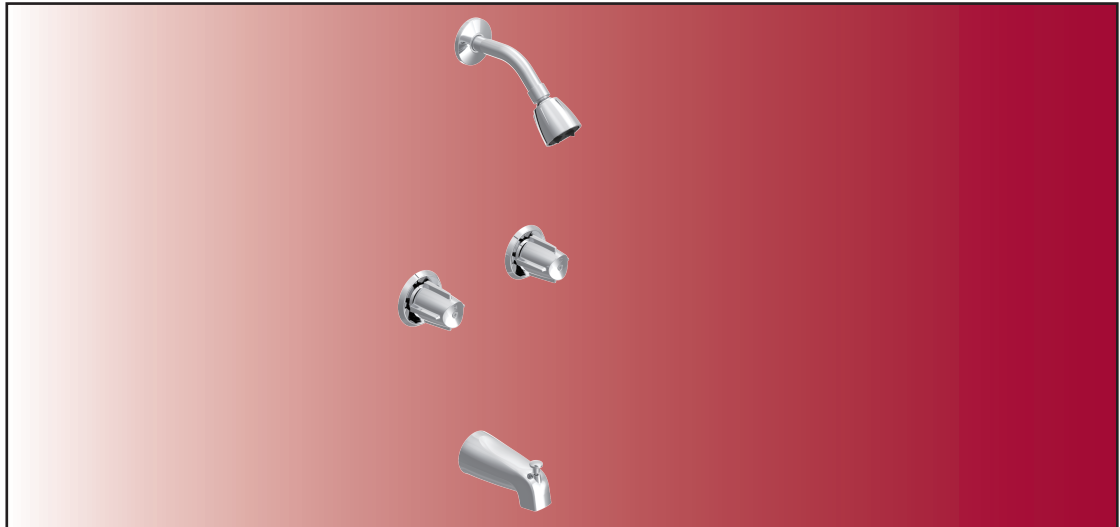


## **Two Handle Tub & Shower Faucet**



### **FEATURES & BENEFITS**

- Metal Round Handles
- Washerless Cartridges
- Non Pressure Balanced
- Diverter Slip Fit Spout
- Max Flow Rate 1.75 gpm (6.6 L/min) at 80 psi
- Min Flow Rate 1.3 gpm (4.9 L/min) at 45 psi (ASME A112.18.1M/A112.18.1)

P4V-830C  
Tub & Shower Faucet  
Chrome Finish

#### **APPROVALS:**

**Meets or Exceeds The Following:**

- \* ANSI/ASME A112.18.1M/A112.18.1
- \* IAPMO/cUPC



\* WaterSense Only On Models Containing Showerheads

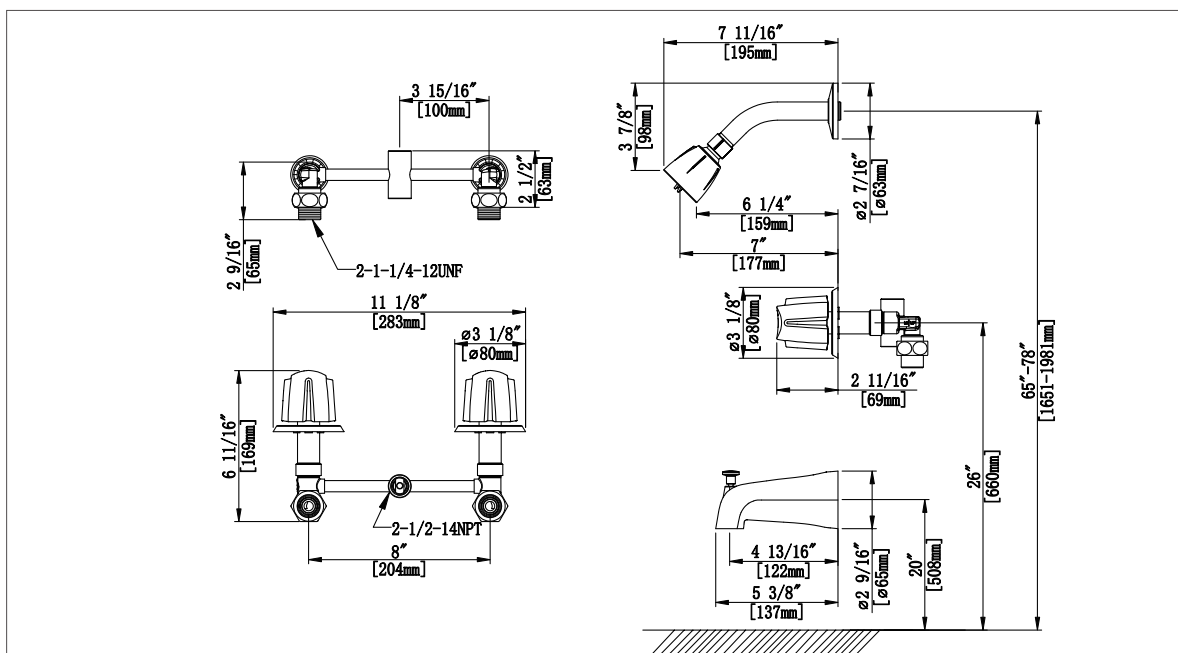
**TEL:** 855-806-0688

**FAX:** 845-350-4043

Visit Our Web Site : [www.plumb4orce.com](http://www.plumb4orce.com)

## Two Handle Tub & Shower Faucet

No.	Name	Part No.
1	Shower Head	635018
2	Shower Arm	616063
3	Shower Arm Flange	620031
4	Screw	623240
5.1	Metal Handle-Cold	623086
5.2	Metal Handle-Hot	623085
6	Escutcheon	620010
7	Sleeve	647206
8	Stem Extension-Hot	622009
9	Seat & Spring Set	642024
10	Cartridge Assembly	626001
11	Union Nut	644003
12	Spout W/Diverter	617005
13	Hex Wrench (H 4mm* 23mm L* 56mm L)	640009



**Product Spec Sheet**