

□ **P4L-705CJP**



Single Handle Valve Only Trim Kit

Product Spec Sheet



FEATURES & BENEFITS

- Metal Lever Handle
- Metal Escutcheon

P4L-705CJP
Chrome Finish

Approvals:

Meets or Exceeds The Following:

- * ASME A112.18.1/CSA B125.1
- * IAPMO/cUPC
- * ADA Compliant



TEL: 855-806-0688

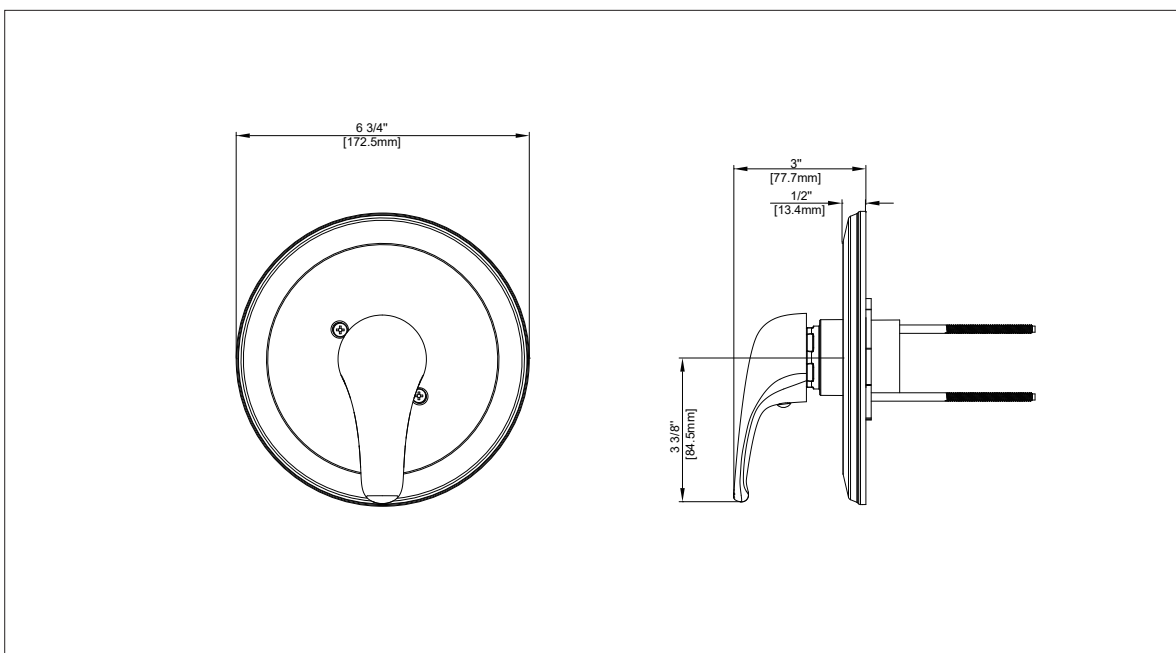
FAX: 845-350-4043

Visit Our Web Site : www.plumb4orce.com

Single Handle Valve Only Trim Kit

No.	Name	Part No.
1	Sleeve / Funda	RP80624*
2	Escutcheon / Placa protectora	RP80610*
3	Escutcheon screw / Tornillo de la placa protectora	RP50190*
4	Handle / Llave	RP13770*
5	Index / Índice	RP10042

* Specify Finish
* Especifique el Acabado



Product Spec Sheet