

P4B-481C **P4B-481BN**



Two - Handle Lavatory Faucet



FEATURES & BENEFITS

- This Product Contains Less Than 0.25% Weighted Average Lead Content On Wetted Surfaces
- Metal Pop-Up
- Ceramic Cartridge
- Quick Install Nuts
- Max Flow Rate 1.2 gpm (4.5L/min) at 60 psi (ASME A112.18.1/A112.18.1)

P4B-481C
Chrome Finish

P4B-481BN
Brushed Nickel Finish

Approvals:

Meets or Exceeds The Following:

- * ANSI/ASME A112.18.1/A112.18.1
- * NSF/ANSI 61 - Sec. 9
- * NSF/ANSI 372
- * IAPMO/cUPC
- * CA AB1953
- * ADA Compliant
- * EPA WaterSense
- * NSF/ANSI/CAN 61:Q ≤ 1



TEL: 855-806-0688

FAX: 845-350-4043

Visit Our Web Site : www.plumb4orce.com

Product Spec Sheet

□ **P4B-481C**

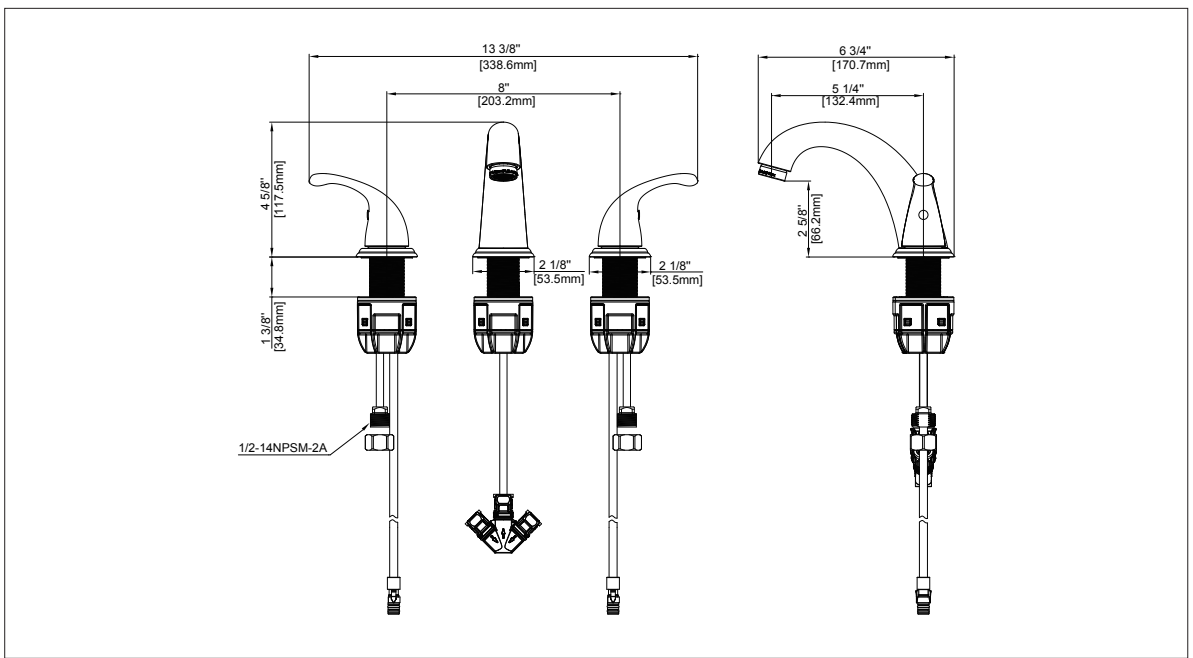
□ **P4B-481BN**



Two - Handle Lavatory Faucet

No.	Name	Part No.
1	Handle / Llave	RP13308*
2	Set screw / Tornillo de fijación	RP50002
3	Index H / Índice H	RP10004
4	Index C / Índice C	RP10005
5	Bonnet / Bonnet	RP70678
6	Cartridge H / Cartucho H	RP20067
7	Cartridge C / Cartucho C	RP20068
8	Block / Bloque	RP70421
9	O-ring / Anillo tórico	RP60002
10	Aerator / Aireado	RP30219*
11	Quick connecting assembly / Ensamblaje de conexión rápida	RP70765
12	Quick install nut / Tuerca de acoplamiento	RP70769
13	Quick install nut / Tuerca de acoplamiento	RP70764
14	Coupling nut / Tuerca de acoplamiento	RP56002
15	Lift rod & Lift Rod knob / Perilla de la varilla de extensión & Varilla de elevación	RP40093*
16	Pop-up Assembly Less Lift Rod / AEnsamble del Desagüe Automático Menos la Barra de Alzar	RP40001*

* Specify Finish
* Especifique el Acabado



Product Spec Sheet