

P4A-730CJP

P4A-730BNJP



P4A-730ORBJP

P4A-730MBJP

Single Handle Tub & Shower Trim Kit



FEATURES & BENEFITS

- Metal Lever Handle
- Metal Shower Arm And Shower Flange
- With Metal Slip On Tub Spout
- With Single Function Shower Head
- Spout: Minimum Flow Rate 2.4GPM(9.0L/Min) At 20PSI
- Showerhead: Max Flow Rate 1.8GPM(6.8L/Min) At 80PSI

Approvals:

Meets or Exceeds The Following:

- * ASME A112.18.1/CSA B125.1
- * IAPMO/cUPC
- * EPA WaterSense

P4A-730CJP
Chrome Finish

P4A-730BNJP
Brushed Nickel Finish

P4A-730ORBJP
Oil Rubbed Bronze Finish

P4A-730MBJP
Matte Black Finish

Product Spec Sheet



TEL: 855-806-0688

FAX: 845-350-4043

Visit Our Web Site : www.plumb4orce.com

P4A-730CJP

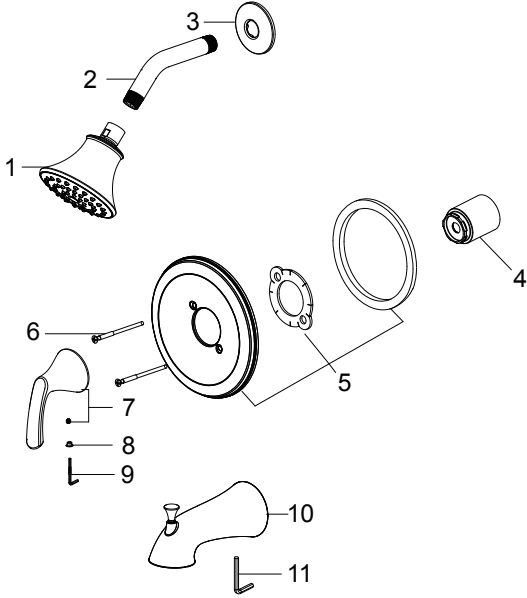
P4A-730BNJP

P4A-730ORBJP

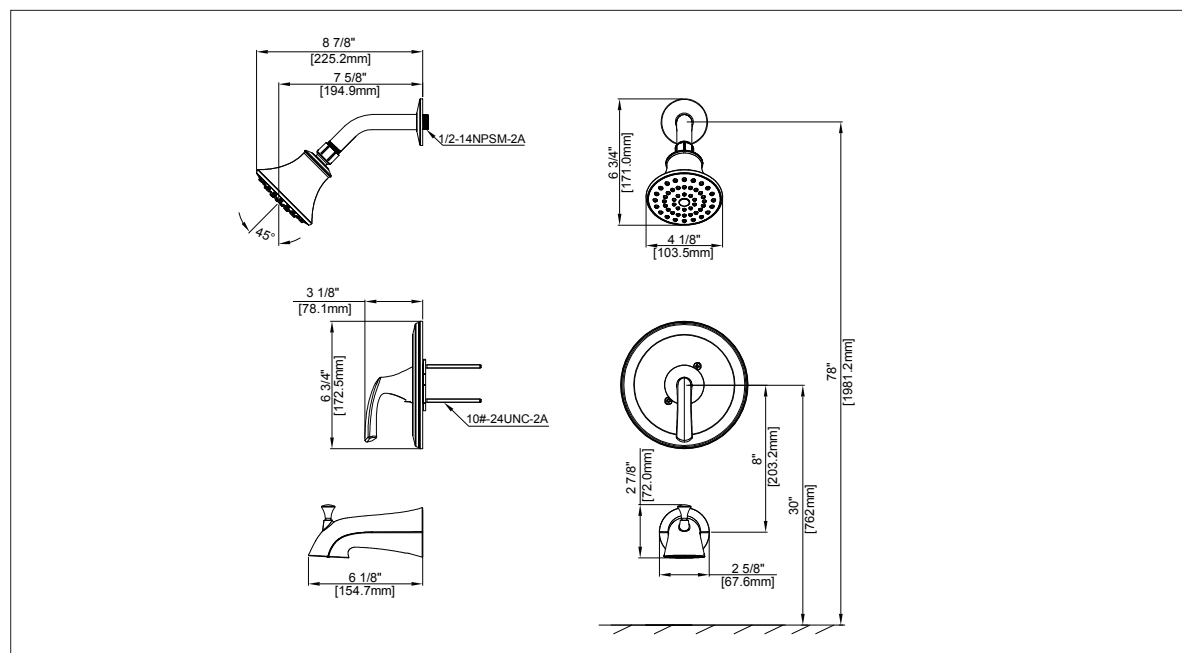
P4A-730MBJP

Single Handle Tub & Shower Trim Kit

| No. | Name | Part No. |
|-----|--|----------|
| 1 | Shower head / Cabezal de la ducha | RP38335* |
| 2 | Shower arm / Brazo de la ducha | RP38019* |
| 3 | Shower flange / Brida de la ducha | RP38046* |
| 4 | Sleeve / Funda | RP80624* |
| 5 | Escutcheon / Placa protectora | RP80610* |
| 6 | Escutcheon screw / Tornillo de la placa protectora | RP50197* |
| 7 | Handle / Llave | RP13541* |
| 8 | Index / Índice | RP10073 |
| 9 | Hex Allen Wrench / Hex Llave Allen | RP70221 |
| 10 | Spout / Caño | RP33080* |
| 11 | Hex Allen Wrench / Hex Llave Allen | RP70345 |



* Specify Finish
* Especificíque el Acabado



Product Spec Sheet

TEL: 855-806-0688 FAX: 845-350-4043

Visit Our Web Site : www.plumb4orce.com