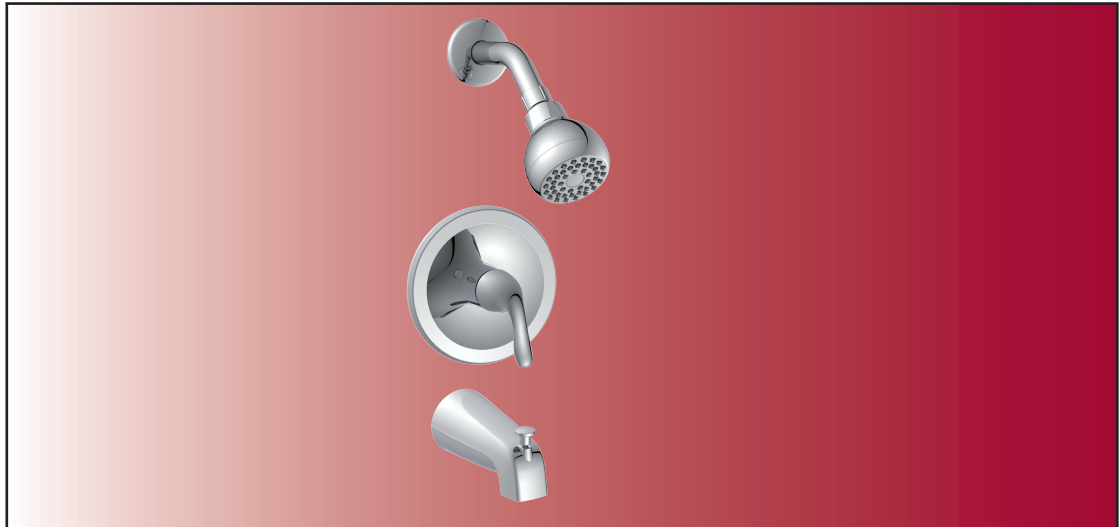


Single Handle Tub & Shower Trim Kit

Product Spec Sheet



FEATURES & BENEFITS

- Metal Lever Handle
- Slip Fit Diverter Spout
- Max Flow Rate 1.75 gpm (6.6 L/min) at 80 psi
- Min Flow Rate 1.3 gpm (4.9 L/min) at 45 psi (ASME A112.18.1M/A112.18.1)

P4B-730CDJP
Trim Kit for Tub & Shower Faucet
Chrome Finish

P4B-730BNDJP
Trim Kit for Tub & Shower Faucet
Brushed Nickel Finish

P4B-720CDJP
Trim Kit for Shower Only Faucet
Chrome Finish

P4B-720BNDJP
Trim Kit for Shower Only Faucet
Brushed Nickel Finish

APPROVALS:

Meets or Exceeds The Following:

- * ANSI/ASME A112.18.1M/A112.18.1
- * IAPMO/cUPC
- * ADA Compliant (For Lever Handle Only)



* WaterSense Only On Models Containing Showerheads

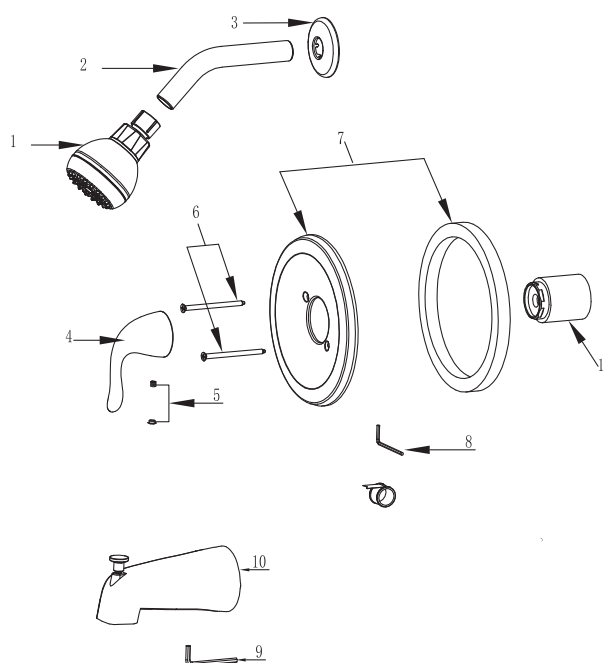
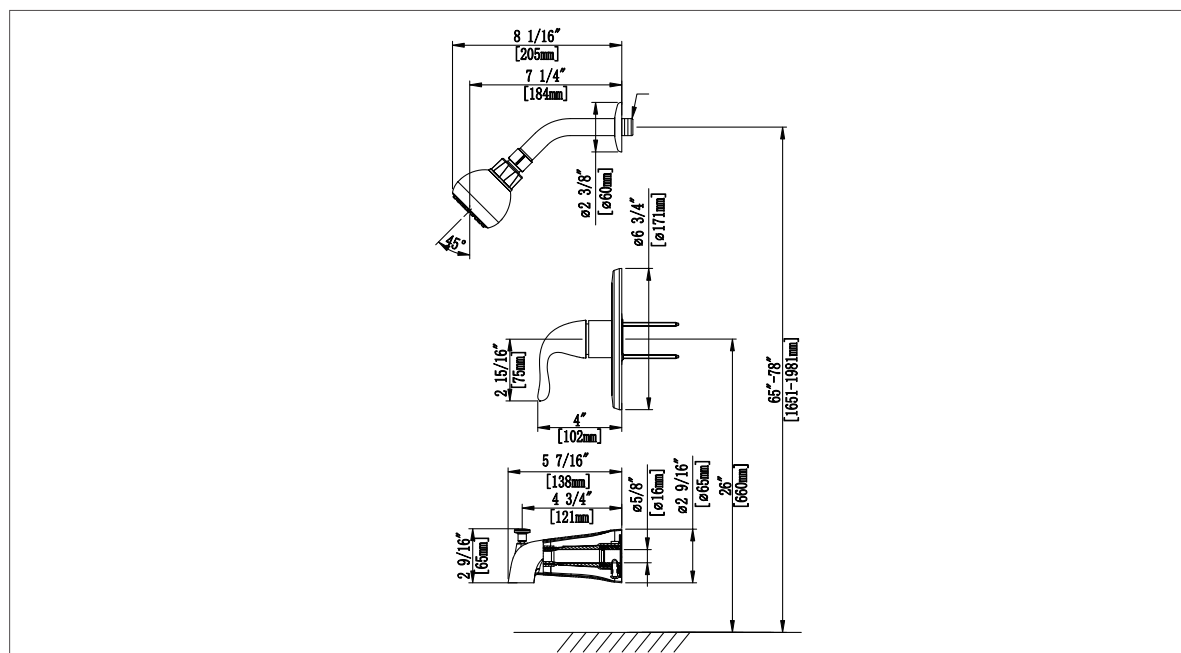
TEL: 855-806-0688

FAX: 845-350-4043

Visit Our Web Site : www.plumb4orce.com

Single Handle Tub & Shower Trim Kit

No.	Name	Part No.
1	Shower Head	635098CP/BN
2	Shower Arm	616063CP/BN
3	Shower Arm Flange	620031CP/BN
4	Metal Handle Assembly	623240CP/BN
5	Handle Cap	642014
6	Screw Set (3/16" -24 * 4" L)	642449CP/BN
7	Escutcheon Assembly	620003CP/BN
8	Hex Wrench (H2.5 * 19mm L * 53mm L)	642064
9	Hex Wrench (H4 * 21.3mm L * 57.3mm L)	646082
10	Spout W/ Diverter	617005CP/BN
11	Sleeve	622089CP/BN

Product Spec Sheet