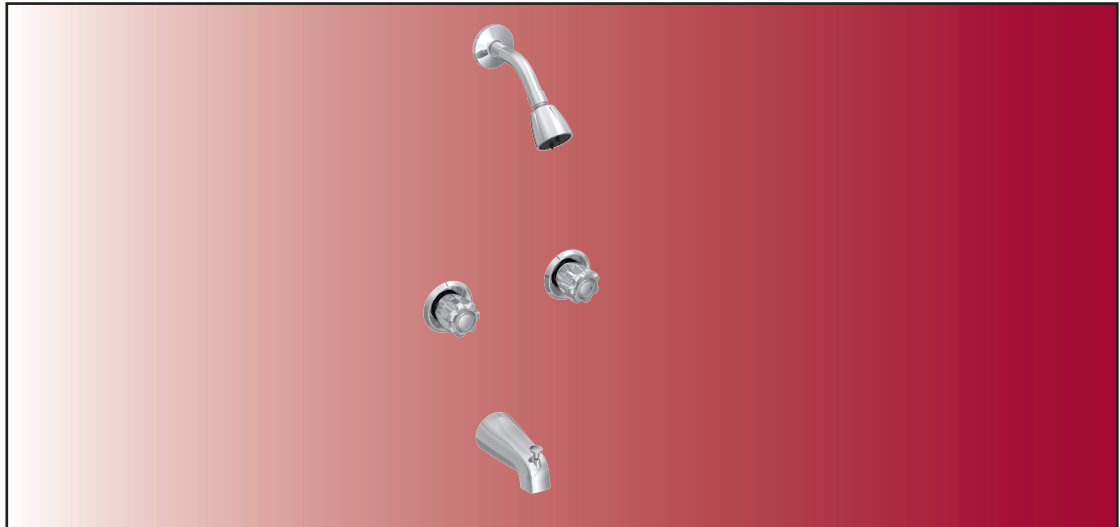


P4V-832C **P4V-822C**



Product Spec Sheet

Two Handle Tub & Shower Faucet



FEATURES & BENEFITS

- Acrylic Round Handles
- Washerless Cartridges
- Non Pressure Balanced
- Diverter Slip Fit Spout
- Max Flow Rate 1.75 gpm (6.6 L/min) at 80 psi
- Min Flow Rate 1.3 gpm (4.9 L/min) at 45 psi (ASME A112.18.1M/A112.18.1)

APPROVALS:

Meets or Exceeds The Following:

- * ANSI/ASME A112.18.1M/A112.18.1
- * IAPMO/cUPC

P4V-832C
Tub & Shower Faucet
Chrome Finish

P4V-822C
Shower Only Faucet
Chrome Finish



* WaterSense Only On Models Containing Showerheads

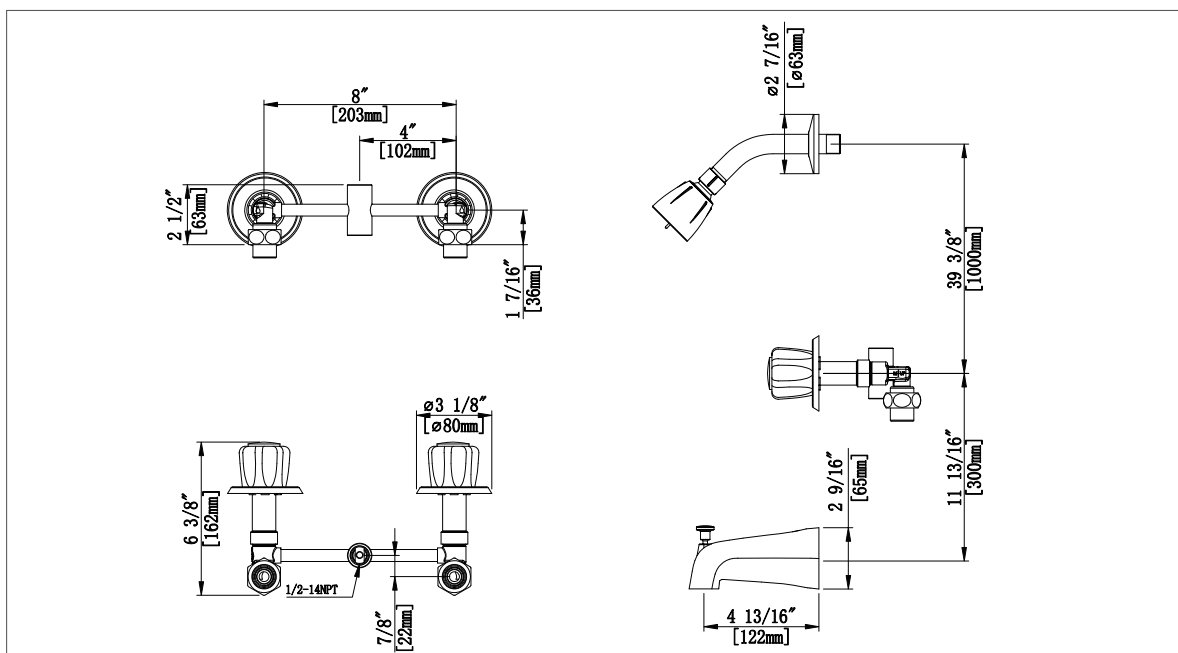
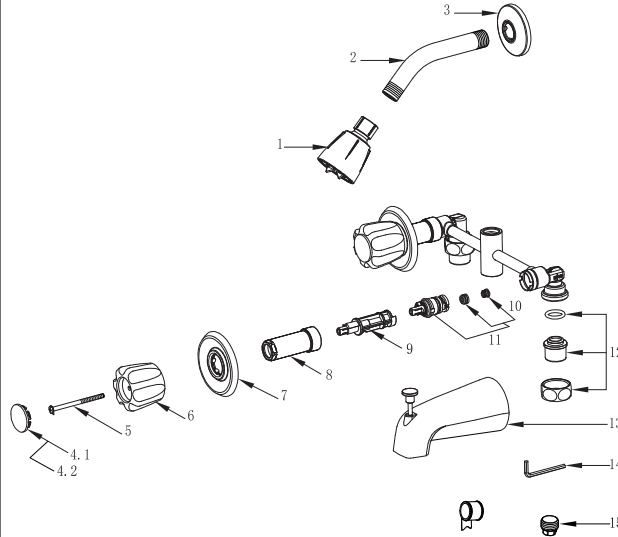
TEL: 855-806-0688

FAX: 845-350-4043

Visit Our Web Site : www.plumb4orce.com

Two Handle Tub & Shower Faucet

No.	Name	Part No.
1	Shower Head	635018
2	Shower Arm	616063
3	Shower Arm Flange	620031
4.1	Index Button- Cold	624140
4.2	Index Button- Hot	624141
5	Screw	642046
6	Acrylic Handle	623107
7	Escutcheon	620010
8	Sleeve	622009
9	Stem Extension-Hot	627014
10	Seat & Spring Set	627009
11	Cartridge Assrmbly	626001
12	Union Nut	644003
13	Spout W/Diverter	617005
14	Hex Wrench (H 4* 23mm L * 56mm L)	640009
15	Plug	642121



Product Spec Sheet