

P4HS-650C

P4HS-650BN



P4HS-650MB

Slide Bar Shower System



FEATURES & BENEFITS

- 5 Setting Hand Shower with Non-Positive Shutoff
- 28.4" Metal Slide Bar
- 72" Flexible Stainless Steel Hose
- Max Flow Rate 1.8 GPM (6.8L/MIN) At 80 PSI
Min Flow Rate 1.35 GPM (5.1L/MIN) At 45 PSI
- Certified Inline Dual Check Valves For Backflow Protection
- Brass Drop Elbow Included

P4HS-650C
Chrome Finish

P4HS-650BN
Brushed Nickel Finish

P4HS-650MB
Matte Black Finish

Approvals:

Meets or Exceeds The Following:

- * ANSI/ASME A112.18.1 / ASME A112.18.3
- * IAPMO/cUPC
- * EPA WaterSense
- * ADA Compliant



Note: Slide Bar Is Not Designed To Be Used As A Grab Bar.

TEL: 855-806-0688

FAX: 845-350-4043F

Visit Our Web Site : www.plumb4orce.com

P4HS-650C
 P4HS-650MB

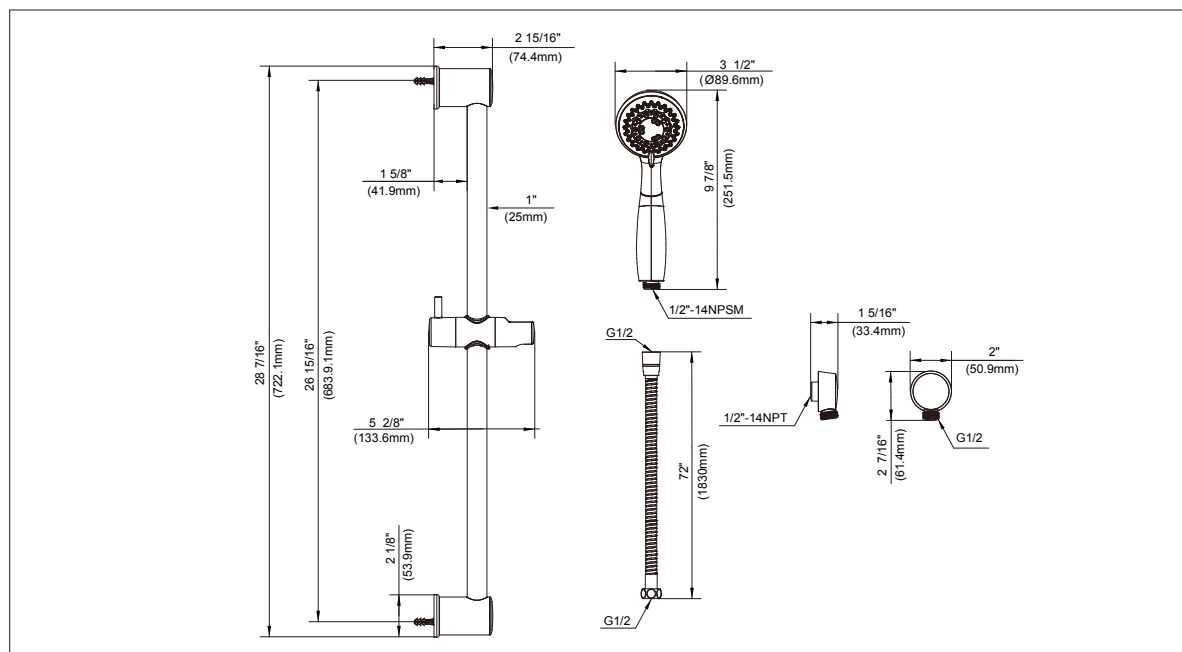
P4HS-650BN



Slide Bar Shower System

No.	Name	Part No.
1	Bracket Assembly / Ensamblaje del soporte	RP1401*
2	Slide Bar / Barra deslizable	RP1407*
3	Slide Bar Mount Cap / Tapa de montaje de barra deslizante	RP1402*
4	Slide Bar Mount / Soportes de barra deslizante de latón	RP1403*
5	Slide Bar Mount Flange / Kit de tornillos de montaje	RP1404*
6	Mounting Screws Kit / Kit de tornillos de montaje	RP1405
7	Hand Shower / Ducha de mano	RP1406*
8	Shower Hose / Manguera de la ducha	RP1408*
9	Drop Elbow / Codo caído	RP1409*

* Specify Finish
 * Especificíque el Acabado



Product Spec Sheet