

□ **P4L-402CF**



Two - Handle Lavatory Faucet



Product Spec Sheet

FEATURES & BENEFITS

P4L-402CF
Chrome Finish

- This Product Contains Less Than 0.25% Weighted Average Lead Content On Wetted Surfaces
- Acrylic Round Handle
- Washerless Cartridge
- 50/50 Push Pop-Up
- Max Flow Rate 1.2 GPM (4.5L/Min) At 60 PSI (ASME A112.18.1/A112.18.1)

Approvals:

Meets or Exceeds The Following:

- * ASME A112.18.1/CSA B125.1
- * NSF/ANSI 61
- * NSF/ANSI 372
- * IAPMO/cUPC
- * CA AB1953
- * EPA WaterSense
- * NSF/ANSI/CAN 61: $Q \leq 1$



TEL: 855-806-0688

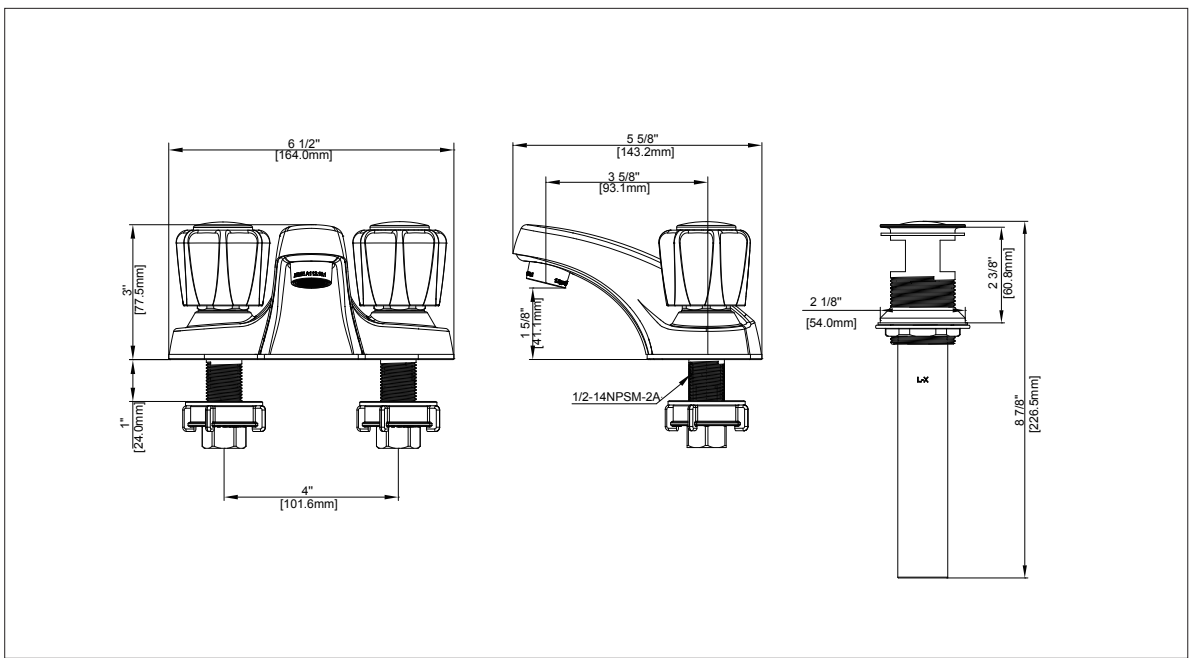
FAX: 845-350-4043

Visit Our Web Site : www.plumb4orce.com

Two - Handle Lavatory Faucet

No.	Name	Part No.
1	Index H / <i>índice H</i>	RP10028
2	Index C / <i>índice C</i>	RP10029
3	Screw / <i>Tornillo</i>	RP50013
4	Handle / <i>Llave</i>	RP13305
5	Bonnet / <i>Bonete</i>	RP70678
6	Washer / <i>Arandela</i>	RP64124
7	Cartridge / <i>Cartucho</i>	RP22010
8	Seat & Spring / <i>Base y resorte</i>	RP22008
9	Gasket / <i>Junta</i>	RP80751
10	Aerator / <i>Aireado</i>	RP30190*
11	Easy install nut / <i>Tuerca fácil de instalar</i>	RP56095
12	Coupling nut / <i>Tuerca de acoplamiento</i>	RP56002
13	Pop-up assembly / <i>Ensamblaje emergente</i>	RP40137*

* Specify Finish
* Especifique el Acabado



Product Spec Sheet