

**P4H-700CJP**

**P4H-700BNJP**



**P4H-700MBJP**

## ***Single Handle Valve Only Trim Kit***

# **Product Spec Sheet**



### **FEATURES & BENEFITS**

- Metal Lever Handle
- Metal Escutcheon

### **Approvals:**

Meets or Exceeds The Following:

- \* ASME A112.18.1/CSA B125.1
- \* IAPMO/cUPC
- \* ADA Compliant

P4H-700CJP  
Chrome Finish

P4H-700BNJP  
Brushed Nickel Finish

P4H-700MBJP  
Matte Black Finish



**TEL:** 855-806-0688

**FAX:** 845-350-4043

Visit Our Web Site : [www.plumb4orce.com](http://www.plumb4orce.com)

**P4H-700CJP**

**P4H-700BNJP**

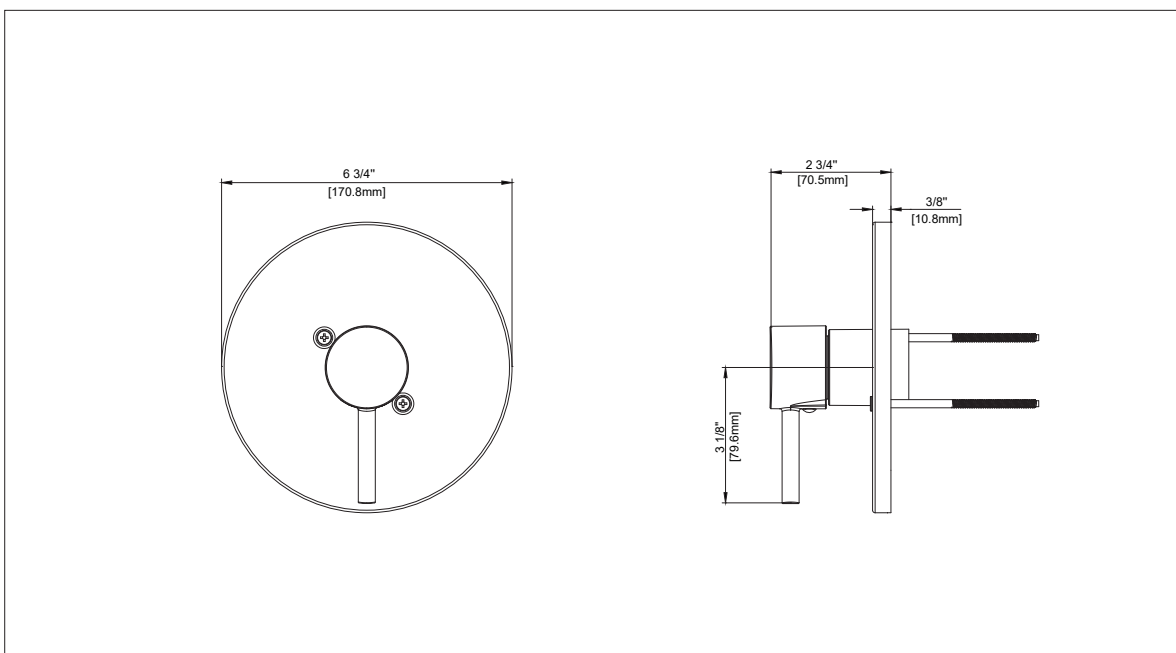


**P4H-700MBJP**

# Single Handle Valve Only Trim Kit

| No. | Name   | Part No. |
|-----|--|----------|
| 1   | Sleeve / Funda                                     | RP80624* |
| 2   | Escutcheon / Placa protectora                      | RP80781* |
| 3   | Escutcheon screw / Tornillo de la placa protectora | RP50055  |
| 4   | Handle / Llave                                     | RP13795* |
| 5   | Index / Índice                                     | RP10042  |

\* Specify Finish  
\* Especifique el Acabado



# Product Spec Sheet

TEL: 855-806-0688 FAX: 845-350-4043

Visit Our Web Site : [www.plumb4orce.com](http://www.plumb4orce.com)