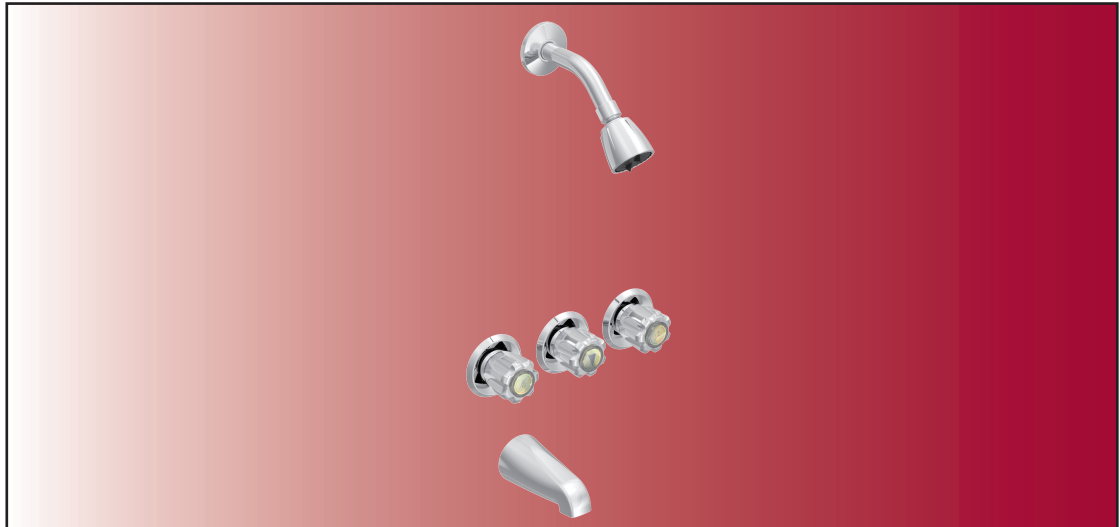


Three Handle Tub & Shower Faucet

Product Spec Sheet



FEATURES & BENEFITS

- Acrylic Round Handles
- Washerless Cartridges
- Non Pressure Balanced
- Spout Without Diverter
- Max Flow Rate 1.75 gpm (6.6 L/min) at 80 psi
- Min Flow Rate 1.3 gpm (4.9 L/min) at 45 psi (ASME A112.18.1M/A112.18.1)

P4V-872C
Chrome Finish

APPROVALS:

Meets or Exceeds The Following:

- * ANSI/ASME A112.18.1M/A112.18.1
- * IAPMO/cUPC



* WaterSense Only On Models Containing Showerheads

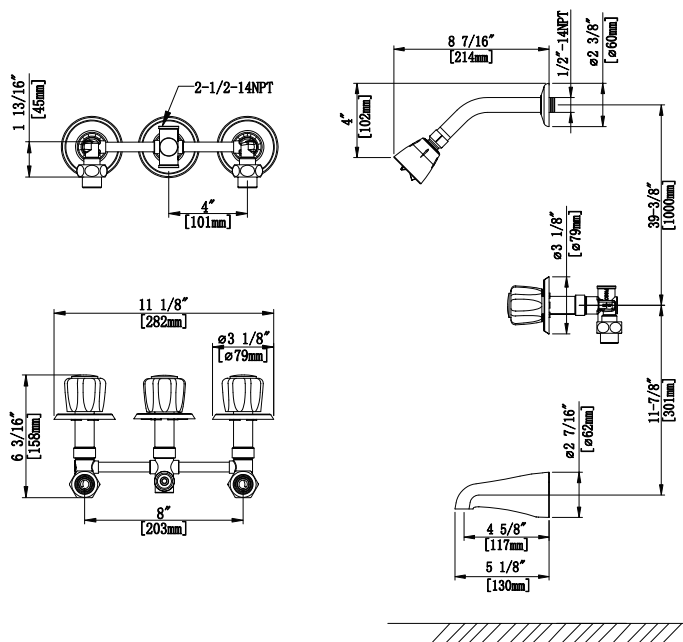
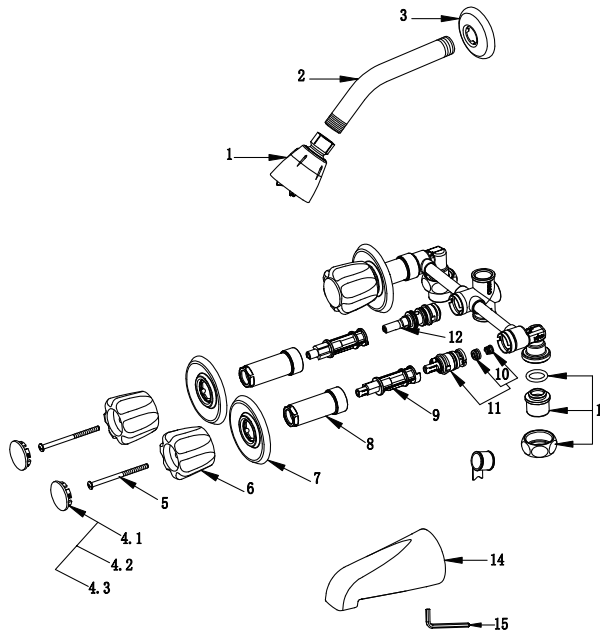
TEL: 855-806-0688

FAX: 845-350-4043

Visit Our Web Site : www.plumb4orce.com

Three Handle Tub & Shower Faucet

No.	Name	Part No.
1	Shower Head	635018
2	Shower Arm	616063
3	Shower Arm Flange	620031
4.1	Index Button-Cold	624062
4.2	Index Button-Hot	624064
4.3	Index Button-Diverter	624063
5	Screw	620002
6	Acrylic Handle	623086
7	Escutcheon	620010
8	Sleeve	622009
9	Stem Extension-Hot	627014
10	Seat & Spring Set	627009
11	Cartridge Assembly	626001
12	Diverter Cartridge	630005
13	Union Nut	644003
14	Spout Less Diverter	617034
15	Hex Wrench (H4 *21 mm L* 57 mm L)	642121



Product Spec Sheet