

**P4A-155C**

**P4A-155SS**



## **Single Handle Industrial Kitchen Faucet**

# **Product Spec Sheet**



### **FEATURES & BENEFITS**

- This Product Contains Less Than 0.25% Weighted Average Lead Content On Wetted Surfaces
- Metal Lever Handle
- Ceramic Cartridge
- Optional Deck Plate Included
- Max Flow Rate 1.8GPM(6.8L/Min) At 60PSI (ASME A112.18.1/A112.18.1)

P4A-155C  
Chrome Finish

P4A-155SS  
Stainless Steel Finish

### **Approvals:**

Meets or Exceeds The Following:

- \* ANSI/ASME A112.18.1/A112.18.1
- \* NSF/ANSI 61 - Sec. 9
- \* NSF/ANSI 372
- \* IAPMO/cUPC
- \* NSF/ANSI/CAN 61:  $Q \leq 1$



**TEL:** 855-806-0688

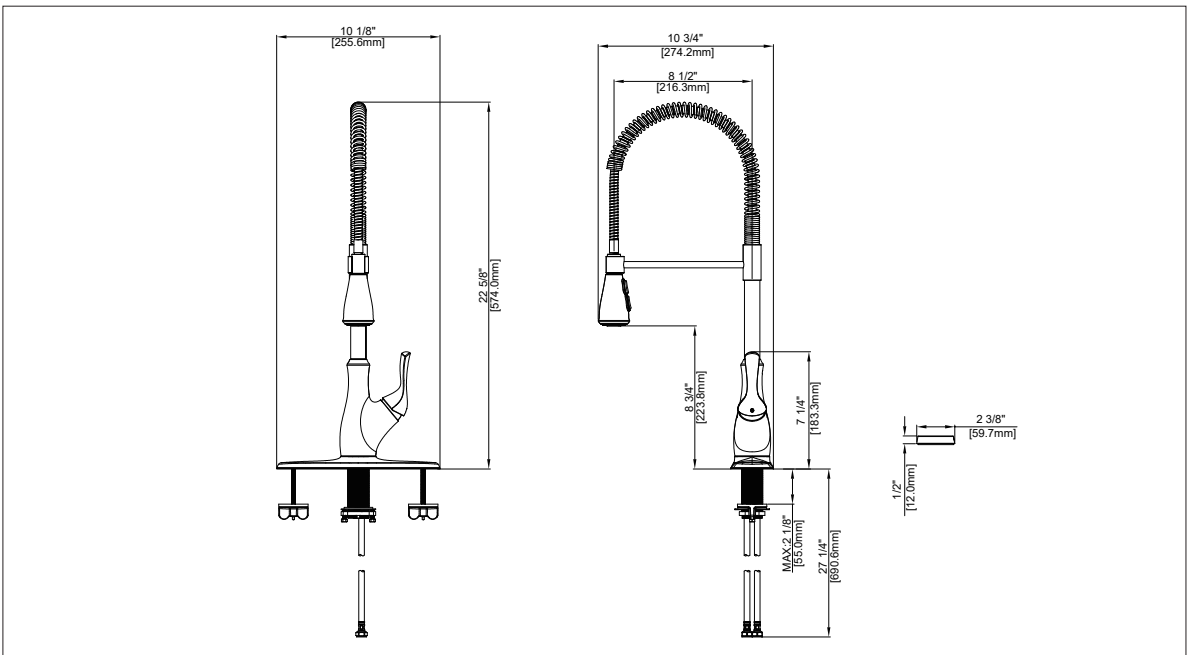
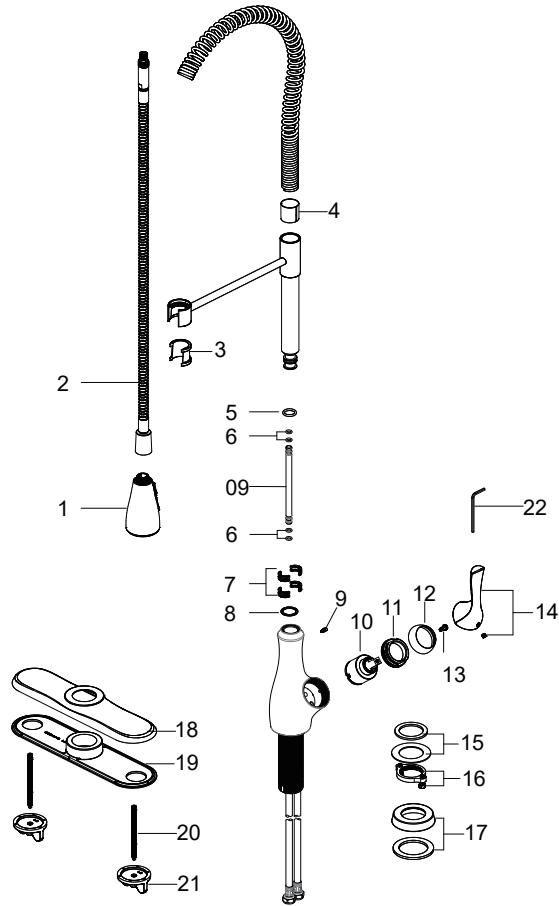
**FAX:** 845-350-4043

Visit Our Web Site : [www.plumb4orce.com](http://www.plumb4orce.com)

# Single Handle Industrial Kitchen Faucet

No.	Name	Part No.
1	Spray head / <i>Cabezal de rociado</i>	RP38241*
2	Hose / <i>Manguera</i>	RP70618
3	Inverter / <i>Invertidor</i>	RP64201
4	Washer / <i>Arandela</i>	RP64242
5	O-ring / <i>Aro tórico</i>	RP60008
6	O-ring / <i>Aro tórico</i>	RP60123
7	Washer / <i>Arandela</i>	RP64050
8	Washer / <i>Arandela</i>	RP64150
9	Screw / <i>Tornillo</i>	RP50145
10	Cartridge / <i>Cartucho</i>	RP20044
11	Bonnet / <i>Bonete</i>	RP70533
12	Cap / <i>Tapa</i>	RP80028*
13	Screw / <i>Tornillo</i>	RP50015
14	Handle / <i>Llave</i>	RP13571*
15	Rubber washer & Metal Washer / <i>Arandela de goma y Arandela metálica</i>	RP64241
16	Nut & Screw / <i>Tuerca y Tornillo</i>	RP56123
17	Flange / <i>Brida</i>	RP80463*
18	Escutcheon / <i>Placa protectora</i>	RP80461*
19	Gasket / <i>Junta</i>	RP80462
20	Bolt / <i>Perno</i>	RP50071
21	Mounting Nut / <i>Tuerca de montaje</i>	RP56109
22	Hex Allen Wrench / <i>Hex Llave Allen</i>	RP70221

\* Specify Finish  
\* Especifique el Acabado



**Product Spec Sheet**