

□ **P4L-325CB**



## **Two - Handle Bar Faucet**



**Product Spec Sheet**

### **FEATURES & BENEFITS**

P4L-325CB  
Chrome Finish

- This Product Contains Less Than 0.25% Weighted Average Lead Content On Wetted Surfaces
- Metal Lever Handle
- Washerless Cartridge
- Max Flow Rate 1.5 GPM (5.7L/Min) At 60PSI (ASME A112.18.1/A112.18.1)

### **Approvals:**

Meets or Exceeds The Following:

- \* ASME A112.18.1/CSA B125.1
- \* NSF/ANSI 61
- \* NSF/ANSI 372
- \* IAPMO/cUPC
- \* CA AB1953
- \* ADA Compliant
- \* NSF/ANSI/CAN 61:  $Q \leq 1$



**TEL:** 855-806-0688

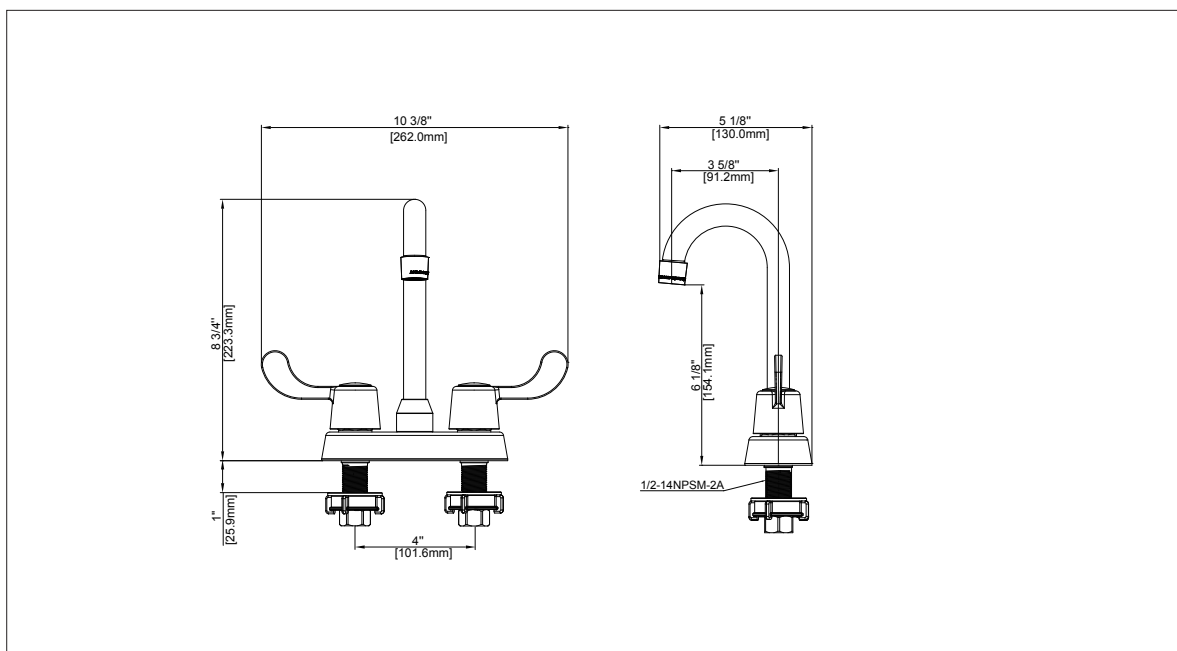
**FAX:** 845-350-4043

Visit Our Web Site : [www.plumb4orce.com](http://www.plumb4orce.com)

# Two - Handle Bar Faucet

No.	Name	Part No.
1	Index H / Índice H	RP10008
2	Index C / Índice C	RP10009
3	Handle H / Llave H	RP13633*
4	Handle C / Llave C	RP13634*
5	Bonnet / Bonete	RP70678
6	Washer / Arandela	RP64123
7	Screw / Tornillo	RP50212
8	Cartridge / Cartucho	RP22010
9	Seat & Spring / Base y resorte	RP22008
10	Gasket / Junta	RP80752
11	Aerator / Aireado	RP30067*
12	Easy install nut / Tuerca fácil de instalar	RP56095
13	Coupling nut / Tuerca de acoplamiento	RP56002

\* Specify Finish  
\* Especifique el Acabado



**Product Spec Sheet**