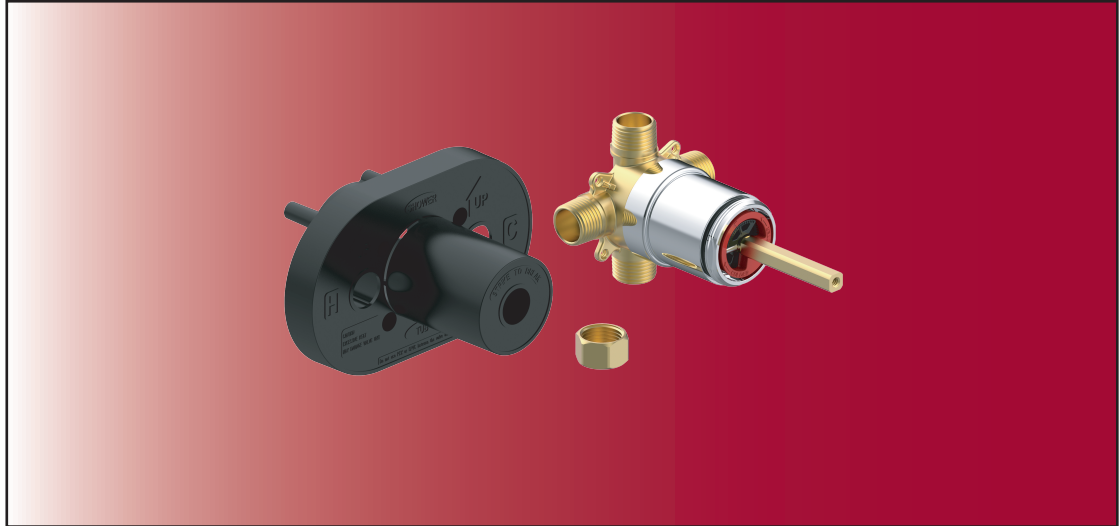


# **PRESSURE BALANCING VALVE BODY**

# **Product Spec Sheet**



## **FEATURES & BENEFITS**

P4LR-799

- Ceramic Cartridge
- CC/MIP
- Less Stops

## **Approvals:**

Meets or Exceeds The Following:

- \* ANSI/ASME A112.18.1
- \* IAPMO/cUPC
- \* ASSE 1016-2005



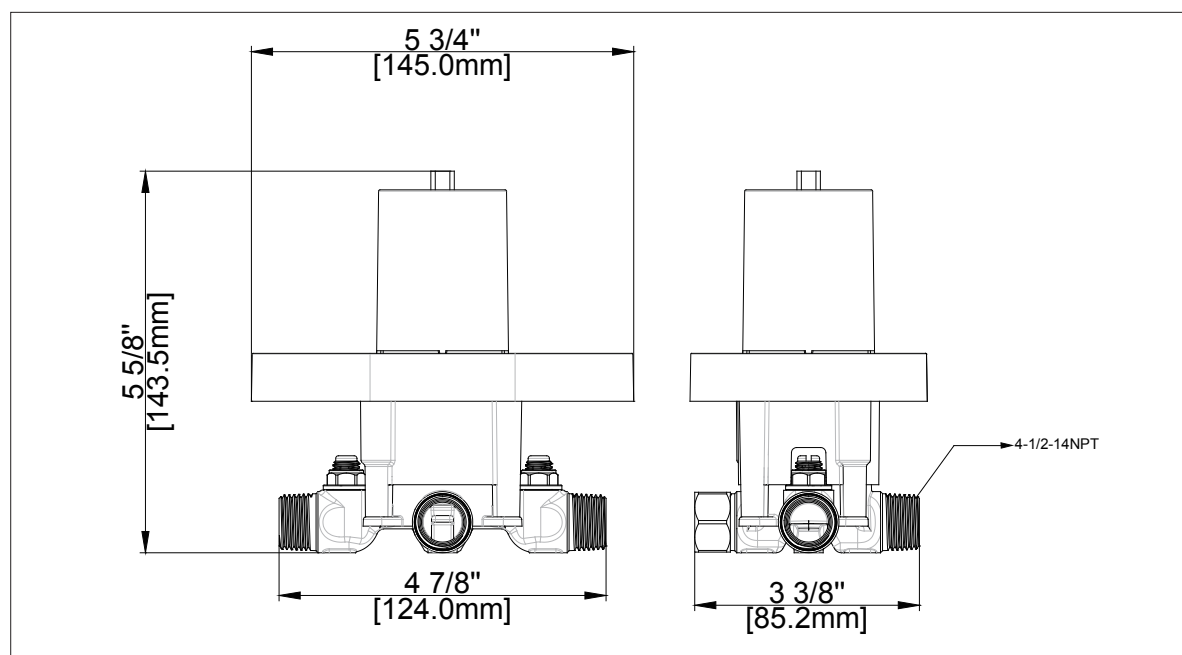
**TEL:** 855-806-0688

**FAX:** 845-350-4043

Visit Our Web Site : [www.plumb4orce.com](http://www.plumb4orce.com)

# **PRESSURE BALANCING VALVE BODY**

No.	Name	Part No.
1	O-ring / A rotórico	RP60091
2	Bonnet / Bonete	RP70798
3	Cartridge / Cartucho	RP20131
4	O-ring / A rotórico	RP60130
5	Cartridge Seat / Asiento del cartucho	RP70799



**Product Spec Sheet**