

□ **P4L-325C**



Two - Handle Bar Faucet

Product Spec Sheet



FEATURES & BENEFITS

P4L-325C
Chrome Finish

- This Product Contains Less Than 0.25% Weighted Average Lead Content On Wetted Surfaces
- Metal Lever Handle
- Washerless Cartridge
- Max Flow Rate 1.5GPM(5.7L/Min) At 60PSI (ASME A112.18.1/A112.18.1)

Approvals:

Meets or Exceeds The Following:

- * ASME A112.18.1/CSA B125.1
- * NSF/ANSI 61
- * NSF/ANSI 372
- * IAPMO/cUPC
- * CA AB1953
- * ADA Compliant
- * NSF/ANSI/CAN 61: $Q \leq 1$



TEL: 855-806-0688

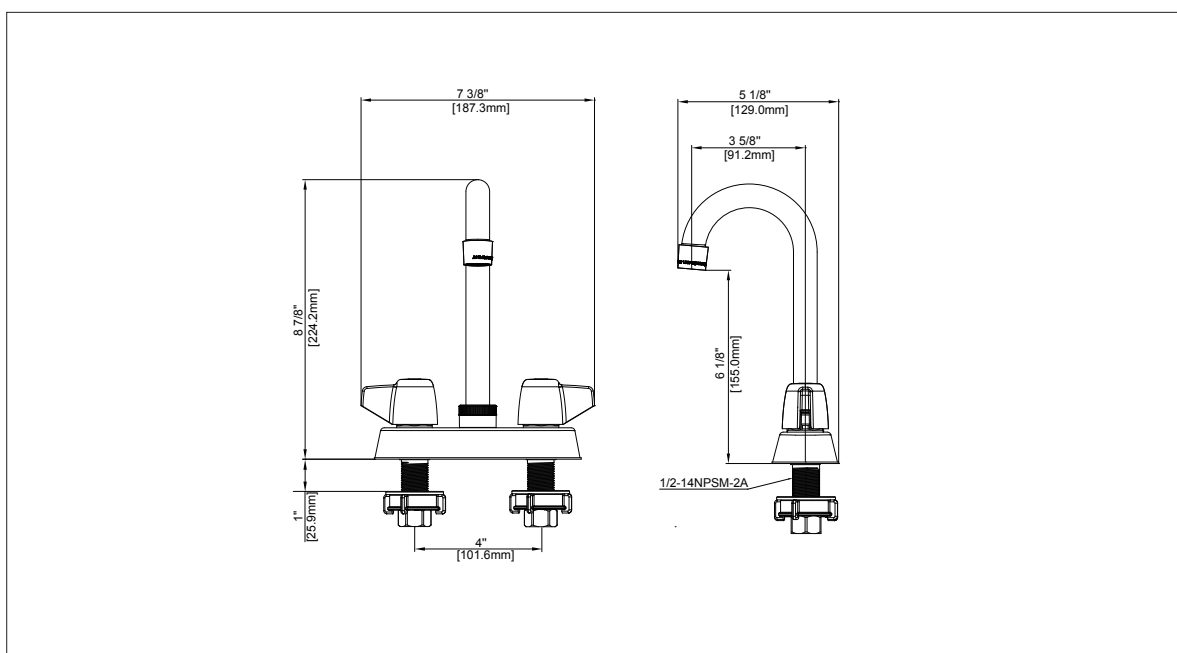
FAX: 845-350-4043

Visit Our Web Site : www.plumb4orce.com

Two - Handle Bar Faucet

No.	Name	Part No.
1	Screw / Tornillo	RP50210
2	Handle H / Llave H	RP13765*
3	Handle C / Llave C	RP13766*
4	Bonnet / Bonete	RP70678
5	Washer / Arandela	RP64123
6	Cartridge / Cartucho	RP22010
7	Seat & Spring / Base y resorte	RP22008
8	Gasket / Junta	RP80752
9	Aerator / Aireado	RP30067*
10	Easy install nut / Tuerca fácil de instalar	RP56095
11	Coupling nut / Tuerca de acoplamiento	RP56002

* Specify Finish
* Especifique el Acabado



Product Spec Sheet