

□ **P4L-720CJP**

□ **P4L-720BNJP**



Single Handle Shower Only Trim Kit

Product Spec Sheet



FEATURES & BENEFITS

- Metal Lever Handle
- Metal Shower Arm And Shower Flange
- With Single Function Shower Head
- Max Flow Rate 1.8 GPM (6.8L/Min) At 80 PSI (ASME A112.18.1/A112.18.1)

P4L-720CJP
Chrome Finish

P4L-720BNJP
Brushed Nickel Finish

Approvals:

Meets or Exceeds The Following:

- * ANSI/ASME A112.18.1/A112.18.1
- * IAPMO/cUPC
- * ADA Compliant
- * EPA WaterSense



TEL: 855-806-0688

FAX: 845-350-4043

Visit Our Web Site : www.plumb4orce.com

□ **P4L-720CJP**

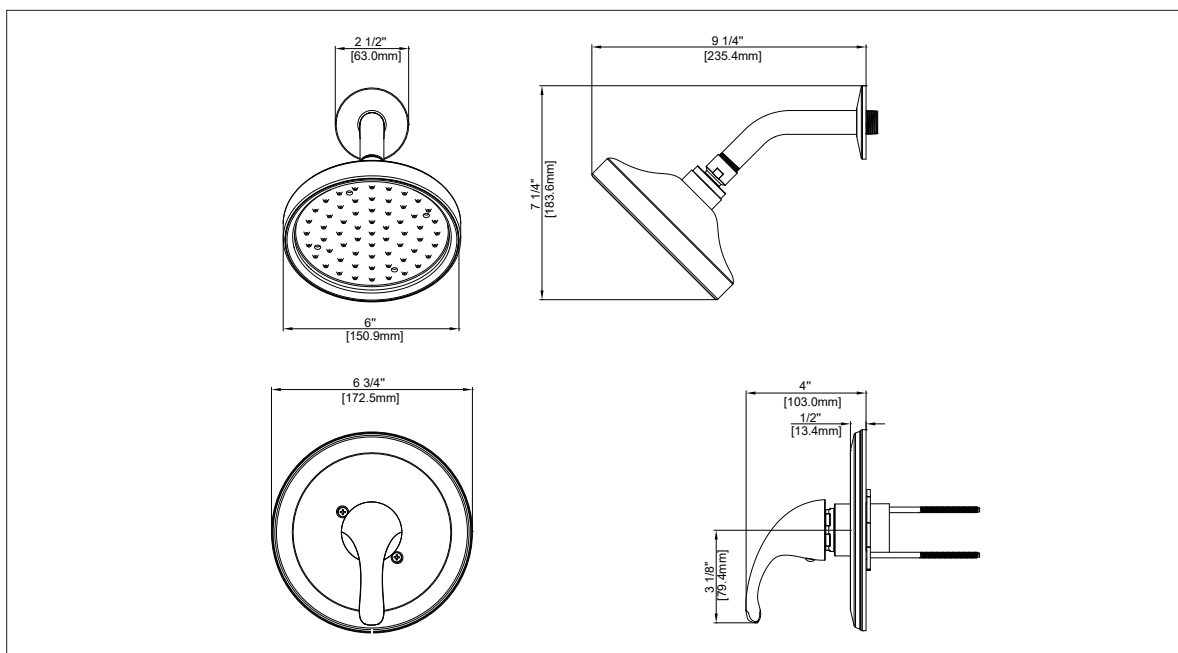
□ **P4L-720BNJP**



Single Handle Shower Only Trim Kit

No.	Name	Part No.
1	Shower head / Cabezal de la ducha	RP38513*
2	Shower arm / Brazo de la ducha	RP38408*
3	Shower flange / Brida de la ducha	RP38046*
4	Sleeve / Funda	RP80624*
5	Escutcheon / Placa protectora	RP80610*
6	Escutcheon screw / Tornillo de la placa protectora	RP50190*
7	Handle / Llave	RP13763*
8	Index / Índice	RP10042

* Specify Finish
* Especifique el Acabado



Product Spec Sheet

TEL: 855-806-0688 FAX: 845-350-4043

Visit Our Web Site : www.plumb4orce.com