

P4A-420C
 P4A-420ORB

P4A-420BN
 P4A-420MB



4" Two Handle Lavatory Faucet

Product Spec Sheet



FEATURES & BENEFITS

- This Product Contains Less Than 0.25% Weighted Average Lead Content On Wetted Surfaces
- Metal Lever Handle
- Ceramic Cartridge
- Metal Pop-up
- Max Flow Rate 1.2GPM(4.5L/Min) At 60PSI (ASME A112.18.1/A112.18.1)

Approvals:

Meets or Exceeds The Following:

- * ASME A112.18.1/CSA B125.1
- * NSF/ANSI 61
- * NSF/ANSI 372
- * IAPMO/cUPC
- * CA AB1953
- * EPA WaterSense
- * NSF/ANSI/CAN 61: $Q \leq 1$

P4A-420C
Chrome Finish

P4A-420BN
Brushed Nickel Finish

P4A-420ORB
Oil Rubbed Bronze Finish

P4A-420MB
Matte Black Finish



TEL: 855-806-0688

FAX: 845-350-4043

Visit Our Web Site : www.plumb4orce.com

P4A-420C

P4A-420BN

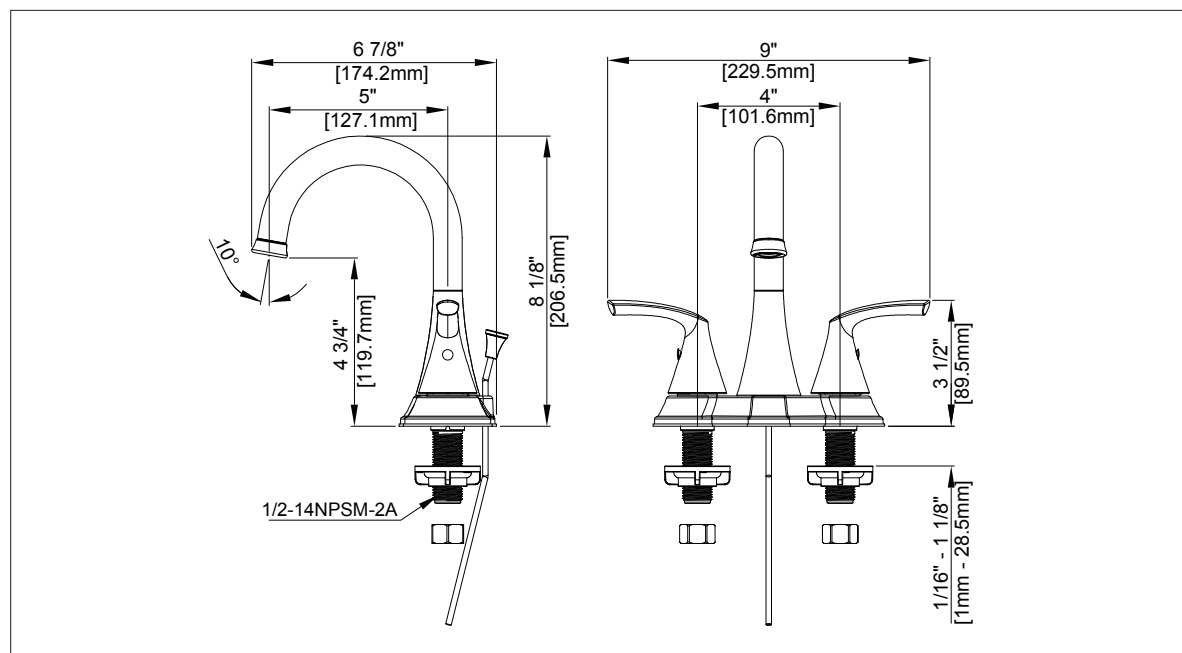
P4A-420ORB

P4A-420MB

4" Two Handle Lavatory Faucet

No.	Name	Part No.
1	Handle / <i>Llave</i>	RP13540*
2	Index H / <i>índice H</i>	RP10004
3	Index C / <i>índice C</i>	RP10005
4	Cartridge H / <i>Cartucho H</i>	RP20067
5	Cartridge C / <i>Cartucho C</i>	RP20068
6	Bonnet / <i>Capuchón</i>	RP70435
7	Washer / <i>Arandela</i>	RP64123
8	Aerator / <i>Aireado</i>	RP30212*
9	Mounting Nut / <i>TuerTuerca de montaje</i>	RP56001
10	Coupling Nut / <i>Tuerca de acoplamiento</i>	RP56002
11	Lift rod & Lift Rod knob / <i>Perilla de la varilla de extensión & Varilla de elevación</i>	RP40150*
12	Pop-up Assembly Less Lift Rod / <i>AEnsamble del Desagüe Automático Menos la Barra de Alzar</i>	RP40001*
13	Hex Allen Wrench / <i>Hex Llave Allen</i>	RP70221

* Specify Finish
* Especifique el Acabado



Product Spec Sheet

TEL: 855-806-0688 FAX: 845-350-4043

Visit Our Web Site : www.plumb4orce.com