

□ **P4LR-799SO**



PRESSURE BALANCING VALVE BODY

Product Spec Sheet



FEATURES & BENEFITS

- Ceramic Cartridge
- CC/MIP
- Less Stops

P4LR-799SO

Approvals:

Meets or Exceeds The Following:

- * ANSI/ASME A112.18.1
- * IAPMO/cUPC
- * ASSE 1016-2005



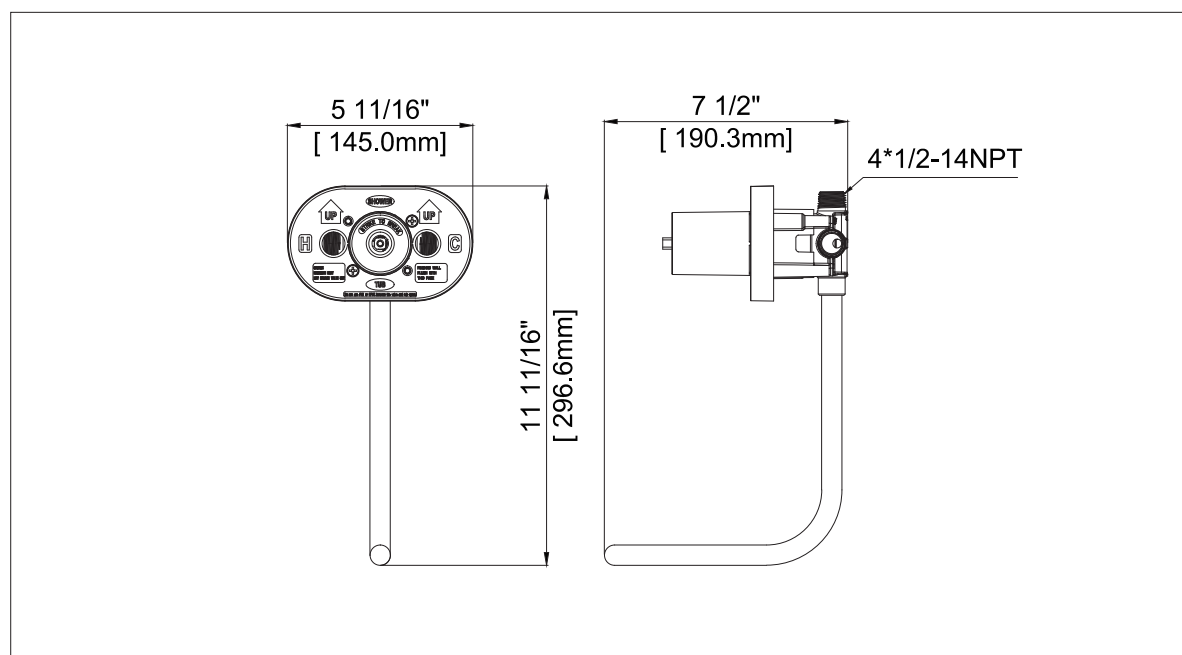
TEL: 855-806-0688

FAX: 845-350-4043

Visit Our Web Site : www.plumb4orce.com

PRESSURE BALANCING VALVE BODY

No.	Name	Part No.
1	O-ring / A rotórico	RP60091
2	Bonnet / Bonete	RP70798
3	Cartridge / Cartucho	RP20131
4	O-ring / A rotórico	RP60130
5	Cartridge Seat / Asiento del cartucho	RP70799



Product Spec Sheet