

- P4H-550C**     **P4H-550BN**  
 **P4H-550MB**

## **Single Handle Lavatory Faucet**



# Product Spec Sheet

### **FEATURES & BENEFITS**

- This Product Contains Less Than 0.25% Weighted Average Lead Content On Wetted Surfaces
- Ceramic Cartridge
- Metal Lever Handle
- With 50/50 Push Pop-up
- With Single Hole Or Three Hole Installation
- Max Flow Rate 1.0 gpm (3.8 L/min) at 60 psi

P4H-550C  
Chrome Finish

P4H-550BN  
Brushed Nickel Finish

P4H-550MB  
Matte Black Finish

#### **APPROVALS:**

**Meets or Exceeds The Following:**

- \* NSF/ANSI/CAN 61 –Sec. 9: Q≤1
- \* NSF/ANSI/CAN 372
- \* IAPMO/cUPC
- \* CA AB1953



NSF/ANSI/CAN 372  
NSF/ANSI/CAN 61/9.0.1



**TEL:** 855-806-0688

**FAX:** 845-350-4043

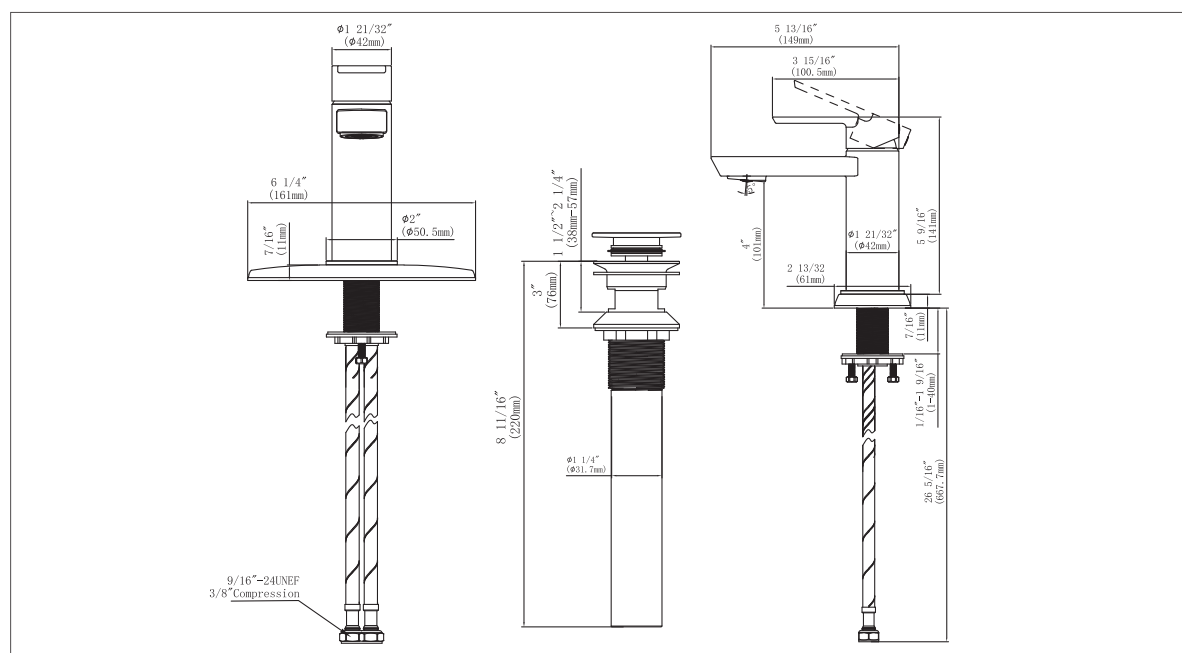
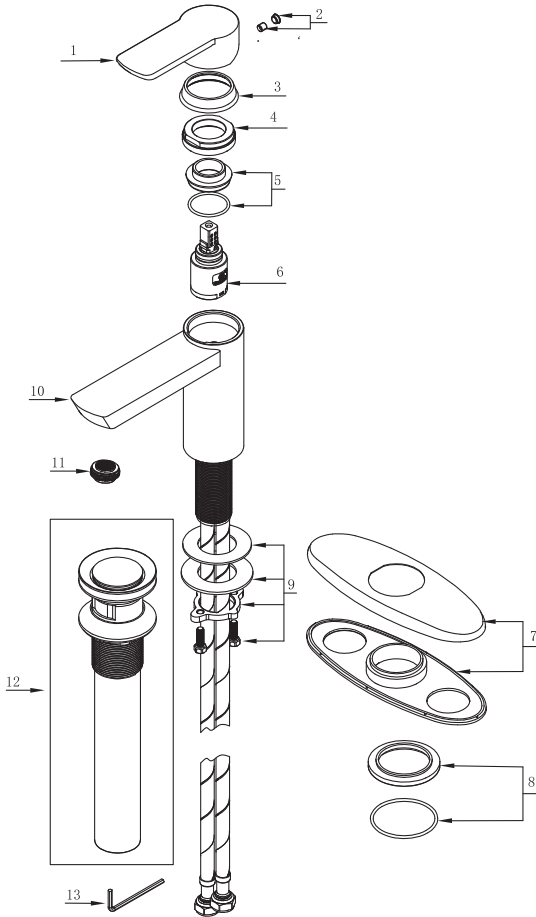
Visit Our Web Site : [www.plumb4orce.com](http://www.plumb4orce.com)

**P4H-550C**     **P4H-550BN**

**P4H-550MB**

# Single Handle Lavatory Faucet

No.	Name	Part No.
1	Metal Handle	623261CP/BN/MB
2	Screw & Plug	624029
3	Trim Cap	622102CP/BN/MB
4	Locking Nut	627156
5	Adaptor Assembly	644313
6	Ceramic Cartridge	626147
7	Cover Plate Assembly	619036CP/BN/MB
8	Base Assembly	640143CP/BN/MB
9	Mounting Hardware	625073
10	Body	613076CP/BN/MB
11	Aerator 1.0gpm	632150
12	50/50 Push pop-up	637018CP/BN/MB
13	Wrench (H2.5 * 19mm L * 53mm L)	642064



**Product Spec Sheet**