

P4A-730CJP
 P4A-730ORBJP

P4A-730BNJP



Product Spec Sheet

Single Handle Tub & Shower Trim Kit



FEATURES & BENEFITS

- Metal Lever Handle
- Metal Shower Arm And Shower Flange
- With Metal Slip On Tub Spout
- With Single Function Shower Head
- Spout: Minimum Flow Rate 2.4GPM(9.0L/Min) At 20PSI
- Showerhead: Max Flow Rate 1.8GPM(6.8L/Min) At 80PSI

P4A-730CJP
Chrome Finish

P4A-730BNJP
Brushed Nickel Finish

P4A-730ORBJP
Oil Rubbed Bronze Finish

Approvals:

Meets or Exceeds The Following:

- * ASME A112.18.1/CSA B125.1
- * IAPMO/cUPC
- * EPA WaterSense



TEL: 855-806-0688

FAX: 845-350-4043

Visit Our Web Site : www.plumb4orce.com

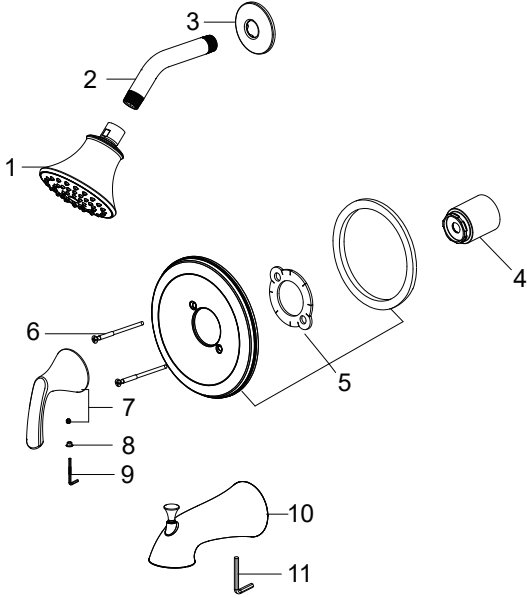
P4A-730CJP

P4A-730BNJP

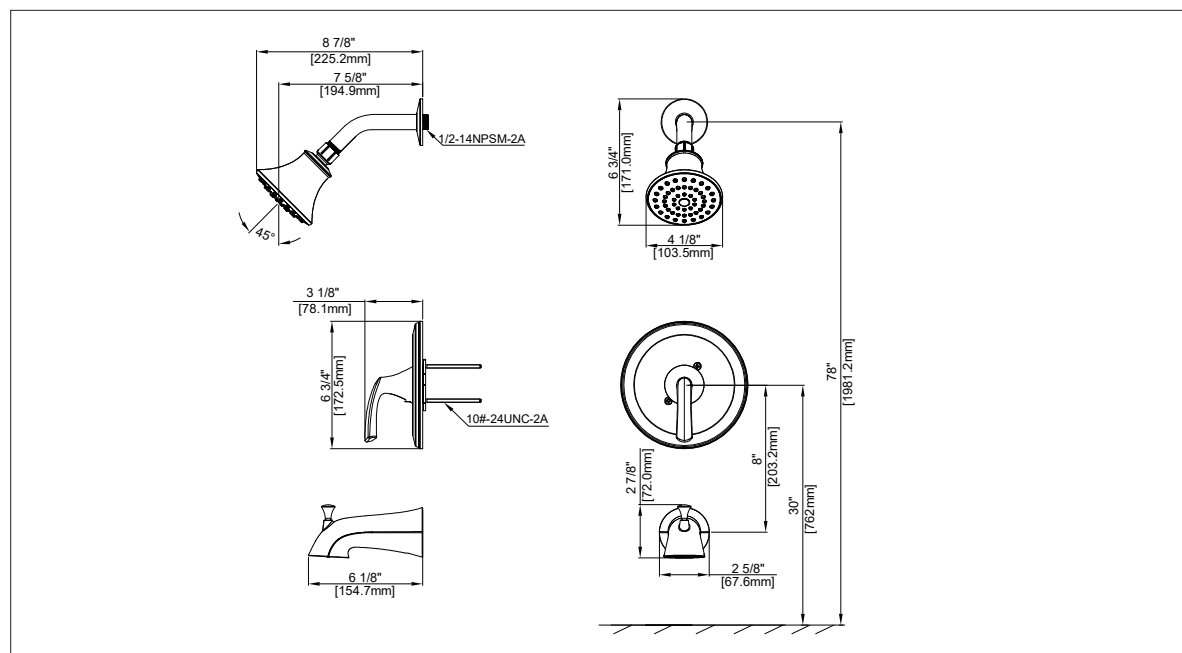
P4A-730ORBJP

Single Handle Tub & Shower Trim Kit

No.	Name	Part No.
1	Shower head / <i>Cabezal de la ducha</i>	RP38335*
2	Shower arm / <i>Brazo de la ducha</i>	RP38019*
3	Shower flange / <i>Brida de la ducha</i>	RP38046*
4	Sleeve / <i>Funda</i>	RP80624*
5	Escutcheon / <i>Placa protectora</i>	RP80610*
6	Escutcheon screw / <i>Tornillo de la placa protectora</i>	RP50197*
7	Handle / <i>Llave</i>	RP13541*
8	Index / <i>Índice</i>	RP10073
9	Hex Allen Wrench / <i>Hex Llave Allen</i>	RP70221
10	Spout / <i>Caño</i>	RP33080*
11	Hex Allen Wrench / <i>Hex Llave Allen</i>	RP70345



* Specify Finish
* Especifique el Acabado



Product Spec Sheet

TEL: 855-806-0688 FAX: 845-350-4043

Visit Our Web Site : www.plumb4orce.com