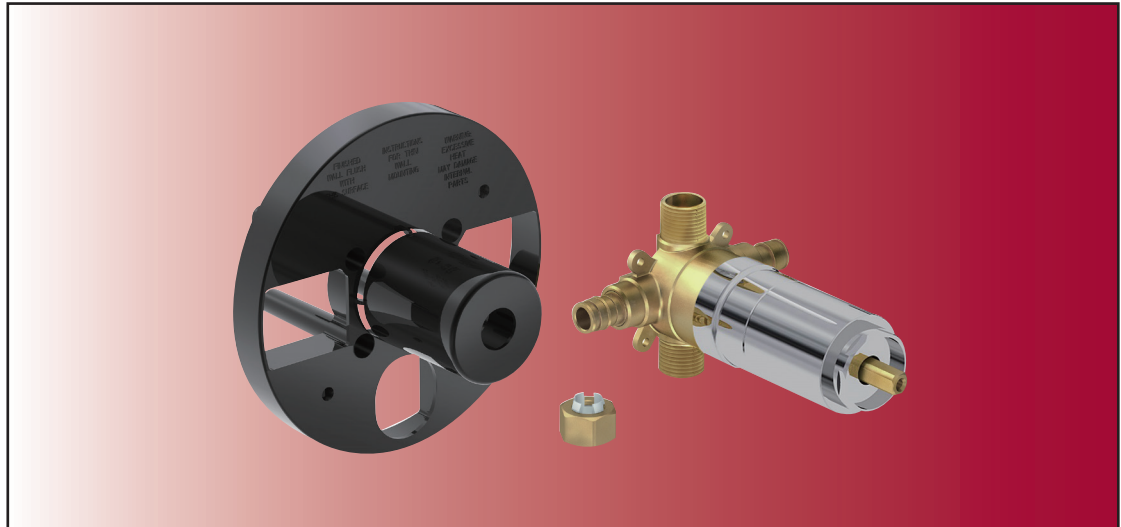


Universal Pressure Balancing Valve Body

Product Spec Sheet



FEATURES & BENEFITS

- Washerless Cartridge
- Pex A Connections ASTM F1960 Standard
- Less Stops

P4SR-799A
Chrome Finish

APPROVALS:

Meets or Exceeds The Following:

- * ANSI/ASME A112.18.1
- * IAPMO/cUPC
- * ASSE 1016-2005



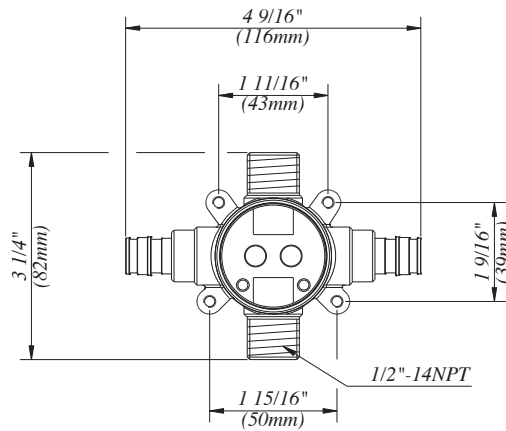
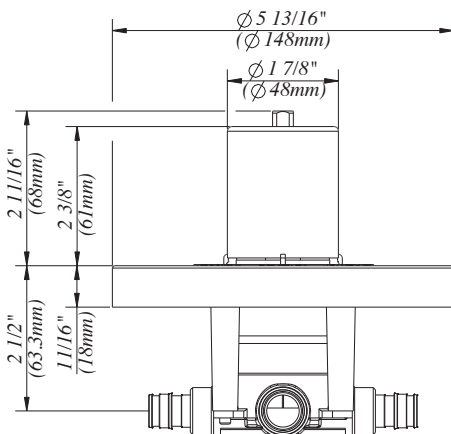
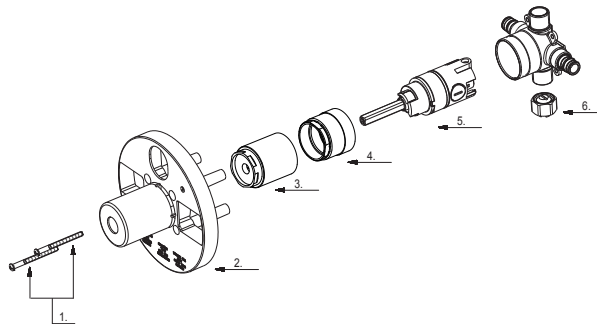
TEL: 855-806-0688

FAX: 845-350-4043

Visit Our Web Site : www.plumb4orce.com

Universal Pressure Balancing Valve Body

No.	Name	Part No.
1	Screw Set	A608519
2	Plaster Guard	A127007
3	Sleeve	A103322
4	Retainer Nut	A103310
5	Cartridge Assembly	A507975
6	Plug	A028452



Product Spec Sheet