

□ **P4L-150C**

□ **P4L-150SS**



Product Spec Sheet

Single Handle Pull Out Kitchen Faucet



FEATURES & BENEFITS

- This Product Contains Less Than 0.25% Weighted Average Lead Content On Wetted Surfaces
- One Hole or Three Hole Installation
- Metal Lever Handle
- Ceramic Cartridge
- Optional Deckplate Included
- Max Flow Rate 1.5 GPM (5.7L/Min) At 60 PSI (ASME A112.18.1/A112.18.1)

P4L-150C
Chrome Finish

P4L-150SS
Stainless Steel Finish

Approvals:

Meets or Exceeds The Following:

- * ASME A112.18.1/CSA B125.1
- * NSF/ANSI 61
- * NSF/ANSI 372
- * IAPMO/cUPC
- * CA AB1953
- * ADA Compliant



TEL: 855-806-0688

FAX: 845-350-4043

Visit Our Web Site : www.plumb4orce.com

□ **P4L-150C**

□ **P4L-150SS**

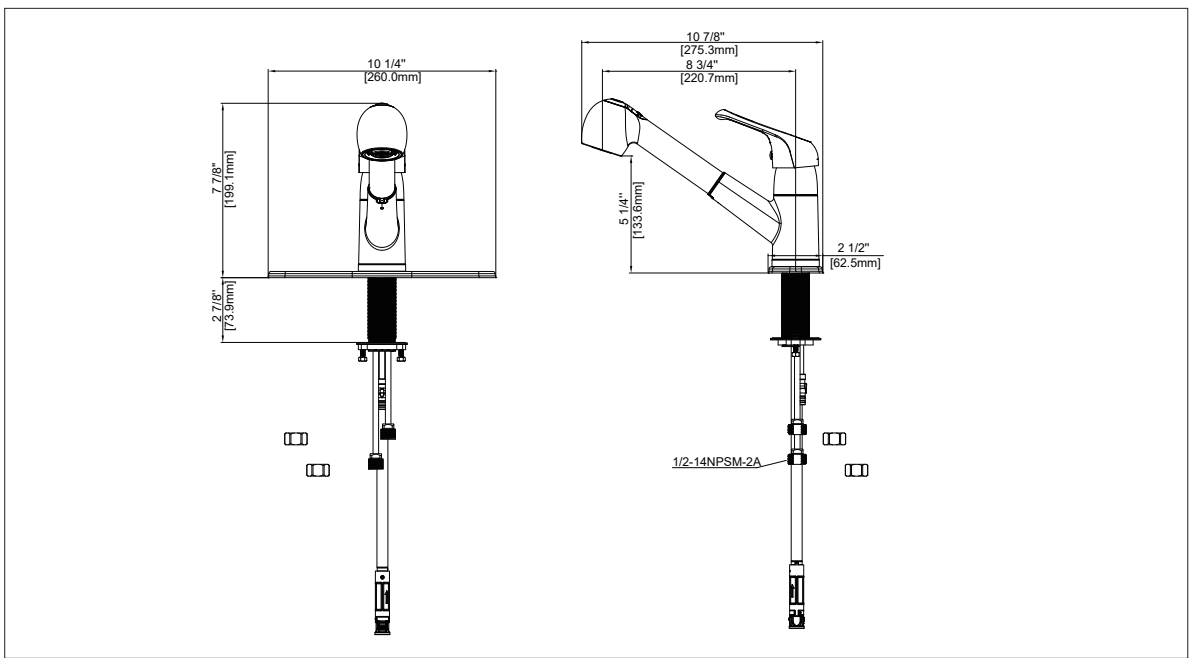


Single Handle Pull Out Kitchen Faucet

No.	Name	Part No.
1	Handle / Llave	RP13033*
2	Set screw / Tornillo de fijación	RP50002
3	Index / Índice	RP10006
4	Cap / Tapa	RP80312*
5	Bonnet / Bonete	RP70336
6	Screw / Tornillo	RP50015
7	Cartridge / Cartucho	RP20044
8	Spray head and Hose / Cabezal rociador y manguera	RP38501*
9	Flange & washer / Brida y arandela	RP80314*
10	Escutcheon / Placa protectora	RP80605*
11	Plastic washer / Arandela plástica	RP64131
12	Metal washer / Arandela metálica	RP64146
13	Nut & Screw / Tuerca y Tornillo	RP56123
14	Block / Bloque	RP70421
15	O-ring / Aro tórico	RP60002
16	Quick connect assembly / Ensamblaje del conector rápido	RP70429
17	O-ring / Aro tórico	RP60089
18	Weight / Peso	RP70689
19	Weight clip / Sujetador con peso	RP70609
20	Coupling nut / Tuerca de acoplamiento	RP56002

* Specify Finish
* Especifique el Acabado

Product Spec Sheet



TEL: 855-806-0688 FAX: 845-350-4043

Visit Our Web Site : www.plumb4orce.com