

**P4B-152C**

**P4B-152SS**



# Product Spec Sheet

## **Single Handle Pull Down Kitchen Faucet**



### **FEATURES & BENEFITS**

- This Product Contains Less Than 0.25% Weighted Average Lead Content On Wetted Surfaces
- Optional Metal Deck Plate Included
- One Hole Or Three Hole Installation
- Ceramic Cartridge
- Integrated Supply Lines
- Quick Install Nut
- Max Flow Rate 1.8 gpm(6.8L/min) at 60 psi (ASME A112.18.1/A112.18.1)

P4B-152C  
Chrome Finish

P4B-152SS  
Stainless Steel Finish

### **Approvals:**

#### **Meets or Exceeds The Following:**

- \* ANSI/ASME A112.18.1/A112.18.1
- \* NSF/ANSI 61 - Sec. 9
- \* NSF/ANSI 372
- \* IAPMO/cUPC
- \* CA AB1953
- \* ADA Compliant
- \* NSF/ANSI/CAN 61 :  $Q \leq 1$



**TEL:** 855-806-0688

**FAX:** 845-350-4043

Visit Our Web Site : [www.plumb4orce.com](http://www.plumb4orce.com)

**P4B-152C**

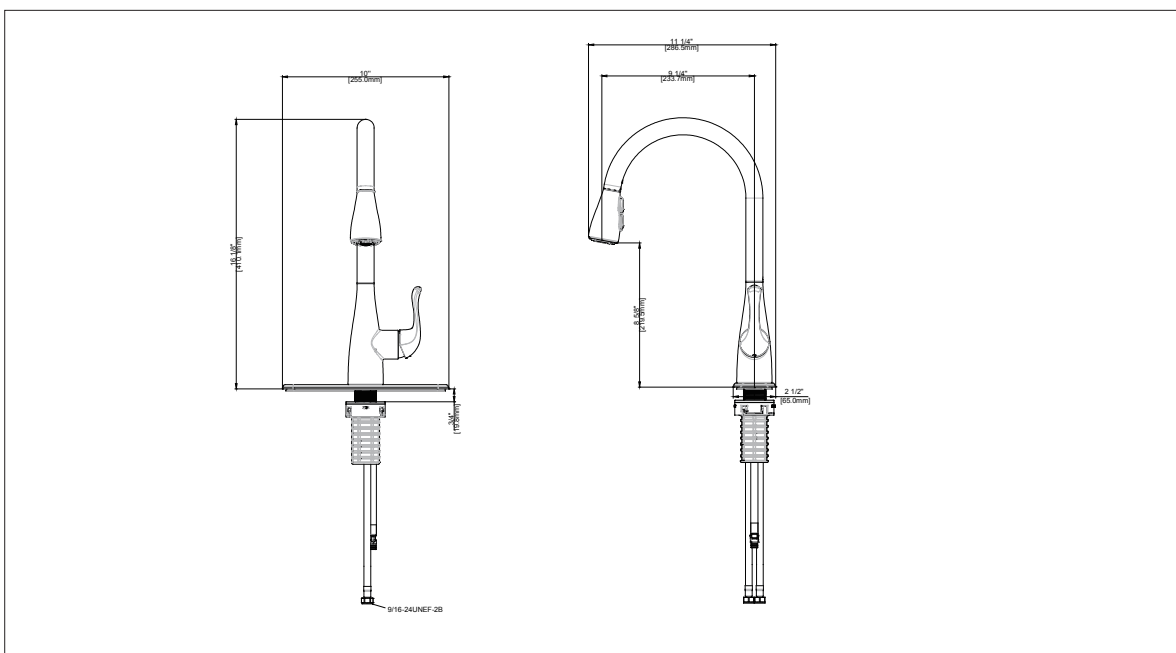
**P4B-152SS**



# Single Handle Pull Down Kitchen Faucet

No.	Name	Part No.
1	Spray head and Hose / Cabezal rociador y manguera	RP38539*
2	Cartridge / Cartucho	RP20103
3	Bonnet / Bonete	RP70688
4	Cap / Tapa	RP80028*
5	Index / Índice	RP10006
6	Set screw / Tornillo de fijación	RP50002
7	Handle / Llave	RP13857*
8	Escutcheon / Placa protectora	RP80542*
9	Gasket / Junta	RP80830
10	Quick install nut / Tuerca de instalación rápida	RP56096
11	Block / Bloque	RP70421
12	O-ring / Aro tórico	RP60002
13	Quick connect assembly / Ensamblaje del conector rápido	RP70697
14	O-ring / Aro tórico	RP60089
15	Weight / Peso	RP70689
16	Weight clip / Sujetador con peso	RP70590

\* Specify Finish  
\* Especifique el Acabado



# Product Spec Sheet

TEL: 855-806-0688 FAX: 845-350-4043

Visit Our Web Site : [www.plumb4orce.com](http://www.plumb4orce.com)