

□ **P4L-245C**



## **Two - Handle Kitchen Faucet**

# Product Spec Sheet



### **FEATURES & BENEFITS**

P4L-245C  
Chrome Finish

- This Product Contains Less Than 0.25% Weighted Average Lead Content On Wetted Surfaces
- Metal Lever Handle
- Washerless Cartridge
- Side Spray
- Max Flow Rate 1.5 GPM (5.7L/Min) At 60 PSI (ASME A112.18.1/A112.18.1)

### **Approvals:**

Meets or Exceeds The Following:

- \* ASME A112.18.1/CSA B125.1
- \* NSF/ANSI 61
- \* NSF/ANSI 372
- \* IAPMO/cUPC
- \* CA AB1953
- \* ADA Compliant
- \* NSF/ANSI/CAN 61: Q ≤ 1



**TEL:** 855-806-0688

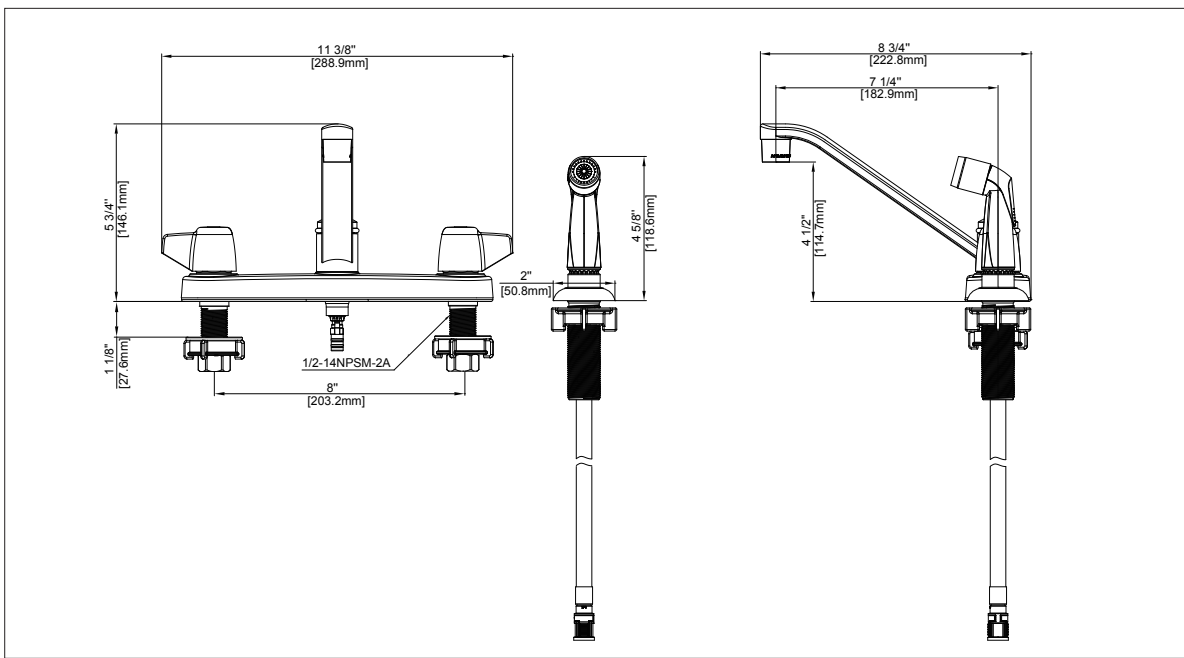
**FAX:** 845-350-4043

Visit Our Web Site : [www.plumb4orce.com](http://www.plumb4orce.com)

# Two - Handle Kitchen Faucet

No.	Name	Part No.
1	Screw / Tornillo	RP50210
2	Handle H / Llave H	RP13765*
3	Handle C / Llave C	RP13766*
4	Bonnet / Bonete	RP70678
5	Washer / Arandela	RP64124
6	Cartridge / Cartucho	RP22010
7	Seat & Spring / Base y resorte	RP22008
8	Gasket / Junta	RP70330
9	Aerator / Aireado	RP30067*
10	Block / Bloque	RP70421
11	O-ring / A rotórico	RP60002
12	Easy install nut / Tuerca fácil de instalar	RP56095
13	Side spray / Rociador lateral	RP36089*
14	Coupling nut / Tuerca de acoplamiento	RP56002

\* Specify Finish  
\* Especifique el Acabado



**Product Spec Sheet**