

□ **P4C-480CGDB**

□ **P4C-480CLB**



Two Handle Widespread Lavatory Faucet

Product Spec Sheet



FEATURES & BENEFITS

- This Product Contains Less Than 0.25% Weighted Average Lead Content On Wetted Surfaces
- Wrist Blade Metal Handles
- Washerless Cartridges
- With 11-3/16" Spout
- Brass Grid Drain
- Max Flow Rate 1.2 GPM (4.5 L/MIN) At 60 PSI (ASME A112.18.1M/A112.18.1)

P4C-480CGDB
Chrome Finish

P4C-480CLB
Less Grid Drain
Chrome Finish

APPROVALS:

Meets or Exceeds The Following:

- * ANSI/ASME A112.18.1M/A112.18.1
- * NSF/ANSI 61 - Sec. 9
- * NSF/ANSI 372
- * IAPMO/cUPC
- * CA AB1953



NSF/ANSI 372
NSF/ANSI 61-9



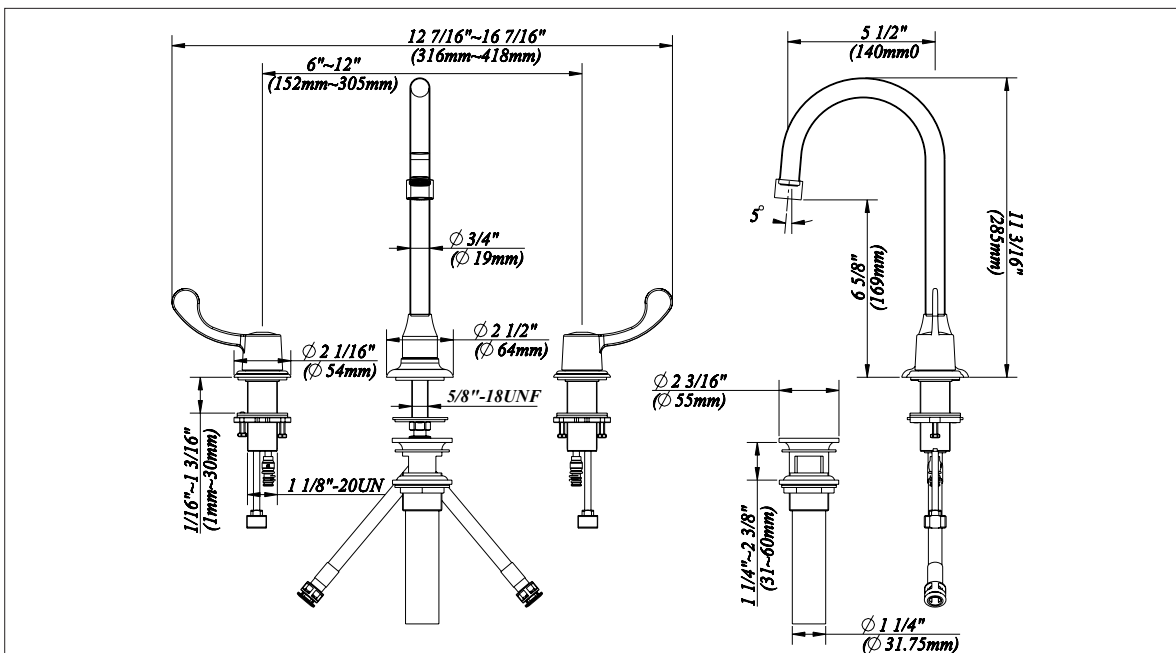
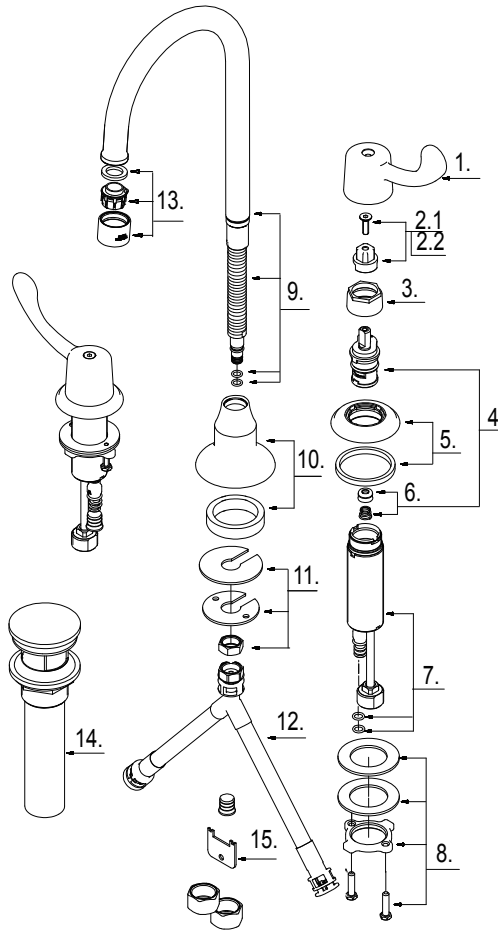
TEL: 855-806-0688

FAX: 845-350-4043

Visit Our Web Site : www.plumb4orce.com

Two Handle Widespread Lavatory Faucet

No.	Name	Part No.
1	Metal Handle	A069796
2.1	Handle Adaptor-Cold	A663306C
2.2	Handle Adaptor-Hot	A663306H
3	Retainer Nut	A016003
4	Washerless Cartridge Assembly	A66D636N
5	Handle Trim Ring	A66F592
6	Spring & Seat Set	A663002
7	Handle Valve Body	A661029W
8	Mounting Hardware	A663053
9	Spout Assembly	A666179W
10	Spout Trim Ring	A667036
11	Mounting Hardware	A663347
12	Supply Hose	A135141N
13	Aerator	A500251N-65
14	Pop-up Assembly	A505915
15	Aerator Wrench	A031104NI



Product Spec Sheet