

□ **P4L-505CP**

□ **P4L-505BNP**



Single Handle Lavatory Faucet

Product Spec Sheet



FEATURES & BENEFITS

- This Product Contains Less Than 0.25% Weighted Average Lead Content On Wetted Surfaces
- Metal Lever Handle
- Washerless Cartridge
- Plastic Push Pop-Up
- Max Flow Rate 1.2 GPM (4.5L/Min) At 60 PSI (ASME A112.18.1/A112.18.1)

P4L-505CP
Chrome Finish

P4L-505BNP
Brushed Nickel Finish

Approvals:

Meets or Exceeds The Following:

- * ASME A112.18.1/CSA B125.1
- * NSF/ANSI 61
- * NSF/ANSI 372
- * IAPMO/cUPC
- * CA AB1953
- * ADA Compliant
- * EPA WaterSense



TEL: 855-806-0688

FAX: 845-350-4043

Visit Our Web Site : www.plumb4orce.com

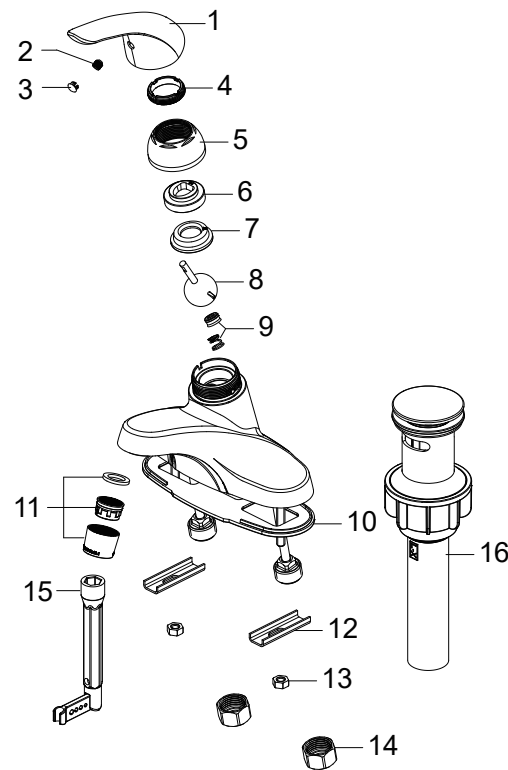
□ **P4L-505CP**

□ **P4L-505BNP**

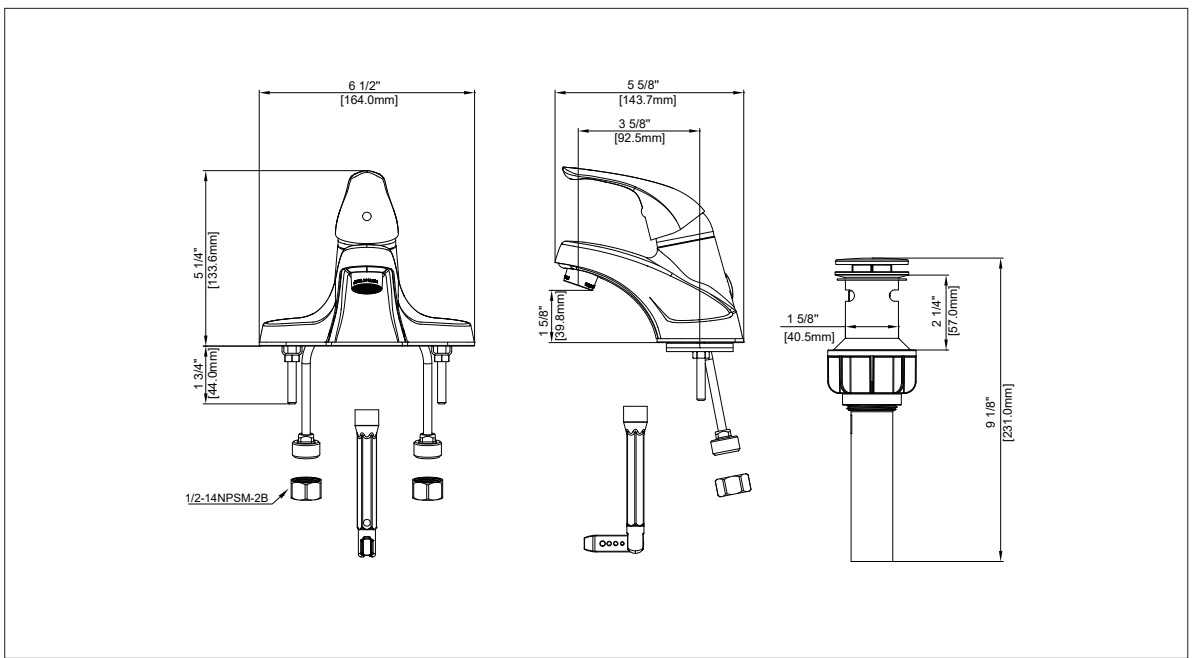


Single Handle Lavatory Faucet

No.	Name	Part No.
1	Handle / <i>Llave</i>	RP13163*
2	Set screw / <i>Tornillo de fijación</i>	RP50054
3	Index / <i>Índice</i>	RP10042
4	Bonnet / <i>Bonete</i>	RP70731
5	Cap / <i>Tapa</i>	RP80108*
6	Cam / <i>Leva</i>	RP70107
7	Cam washer / <i>Arandela de leva</i>	RP70108
8	Mixer ball / <i>Bola de la mezcladora</i>	RP22007
9	Seat & Spring / <i>Base y resorte</i>	RP22008
10	Gasket / <i>Junta</i>	RP80751
11	Aerator / <i>Aireador</i>	RP30190*
12	Washer / <i>Arandela</i>	RP64083
13	Nut / <i>Tuerca</i>	RP56033
14	Coupling nut / <i>Tuerca de acoplamiento</i>	RP56002
15	Spanner key / <i>Llave de llave</i>	RP70755
16	Pop-up assembly / <i>Ensamblaje emergente</i>	RP40269*



* Specify Finish
* Especifique el Acabado



Product Spec Sheet

TEL: 855-806-0688 FAX: 845-350-4043

Visit Our Web Site : www.plumb4orce.com