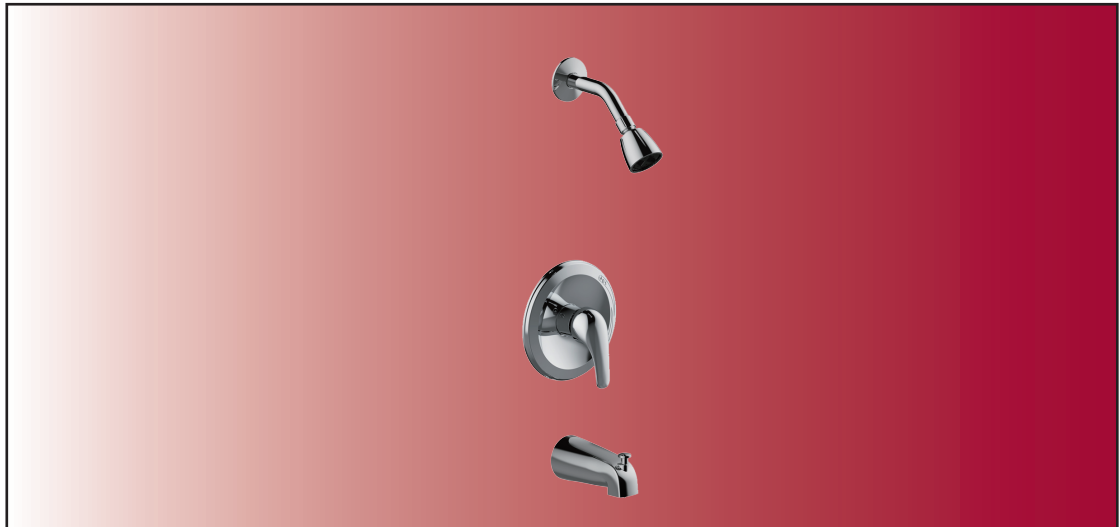


□ **P4L-735CJP**



Product Spec Sheet

Single Handle Tub & Shower Trim Kit



FEATURES & BENEFITS

P4L-735CJP
Chrome Finish

- Metal Lever Handle
- Metal Shower Arm And Shower Flange
- With Metal Slip On Tub Spout
- With Single Function Showerhead
- Showerhead: Max Flow Rate 1.8 GPM (6.8L/Min)
At 80 PSI (ASME A112.18.1/A112.18.1)

Approvals:

Meets or Exceeds The Following:

- * ANSI/ASME A112.18.1/A112.18.1
- * IAPMO/cUPC
- * ADA Compliant (For Lever Handle Only)
- * EPA WaterSense



TEL: 855-806-0688

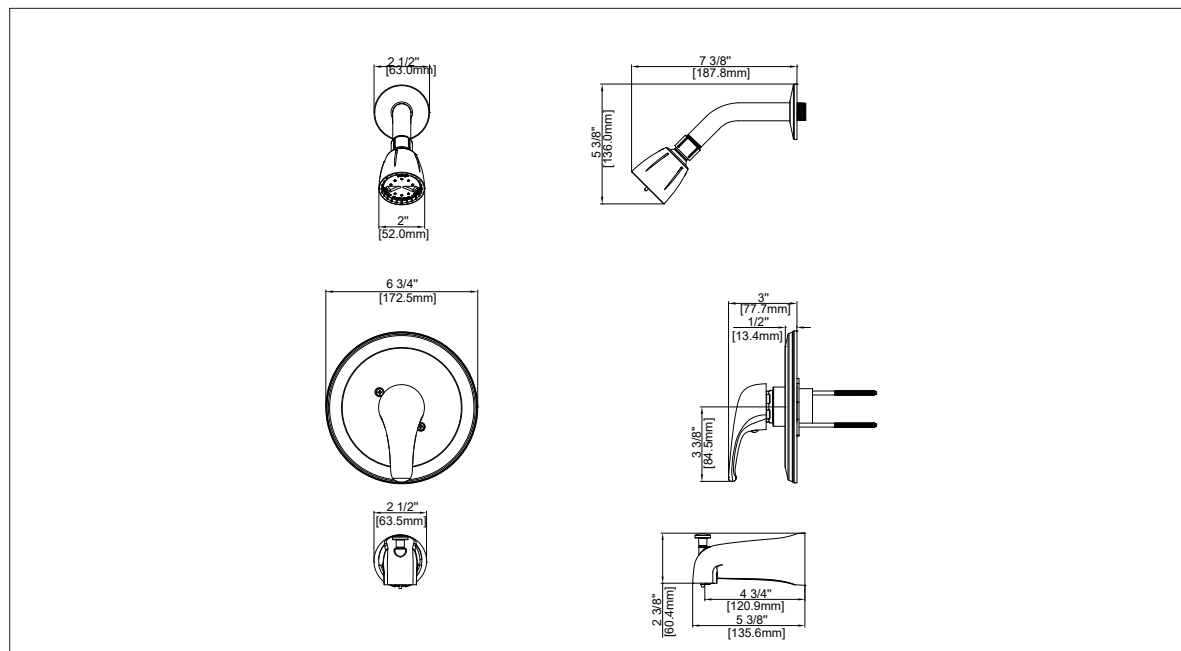
FAX: 845-350-4043

Visit Our Web Site : www.plumb4orce.com

Single Handle Tub & Shower Trim Kit

No.	Name	Part No.
1	Shower head / Cabezal de la ducha	RP38402*
2	Shower arm / Brazo de la ducha	RP38408*
3	Shower flange / Brida de la ducha	RP38046*
4	Sleeve / Funda	RP80624*
5	Escutcheon / Placa protectora	RP80610*
6	Escutcheon screw / Tornillo de la placa protectora	RP50190*
7	Handle / Llave	RP13770*
8	Index / Índice	RP10042
9	Spout / Caño	RP33064*

* Specify Finish
* Especificque el Acabado



Product Spec Sheet