

□ **P4C-501C**

□ **P4C-501BN**



Single Handle Lavatory Faucet

Product Spec Sheet



FEATURES & BENEFITS

- This Product Contains Less Than 0.25% Weighted Average Lead Content On Wetted Surfaces
- Metal Pop-Up
- Washerless Cartridge
- Integrated Supply Lines
- Max Flow Rate 1.2 gpm (4.5L/min) at 60 psi (ASME A112.18.1/A112.18.1)

P4C-501C
Chrome Finish

P4C-501BN
Brushed Nickel Finish

Approvals:

Meets or Exceeds The Following:

- * ANSI/ASME A112.18.1/A112.18.1
- * NSF/ANSI 61 - Sec. 9
- * NSF/ANSI 372
- * IAPMO/cUPC
- * CA AB1953
- * ADA Compliant
- * EPA WaterSense
- * NSF/ANSI/CAN 61:Q ≤ 1



TEL: 855-806-0688

FAX: 845-350-4043

Visit Our Web Site : www.plumb4orce.com

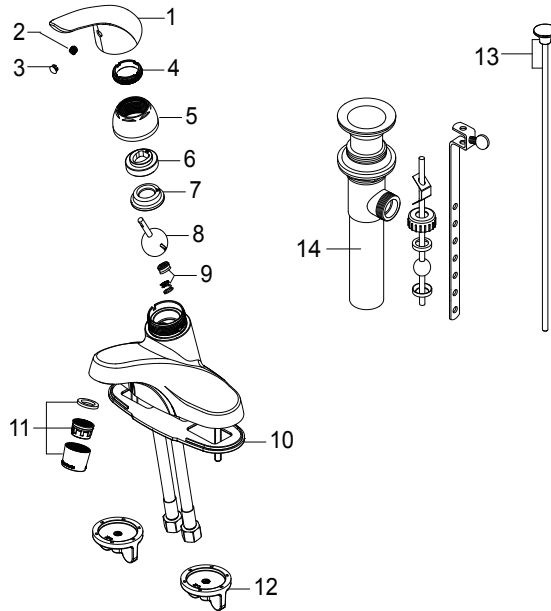
□ **P4C-501C**

□ **P4C-501BN**

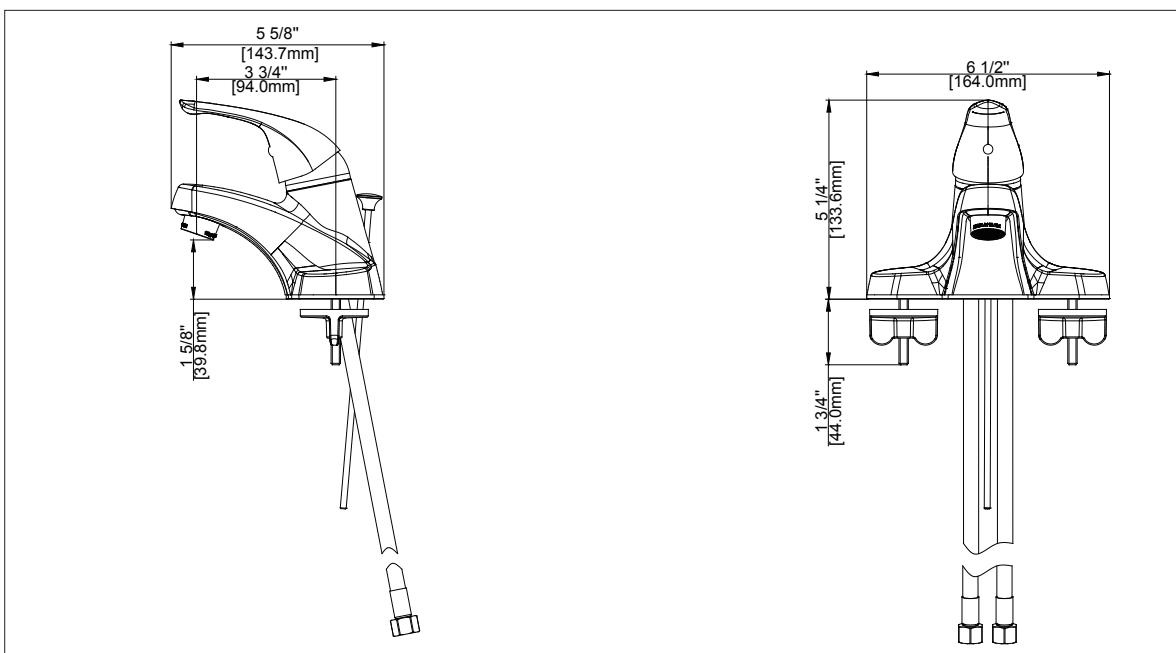


Single Handle Lavatory Faucet

No.	Name	Part No.
1	Handle / Llave	RP13163*
2	Set screw / Tornillo de fijación	RP50054
3	Index / Índice	RP10042
4	Bonnet / Bonete	RP70371
5	Cap / Tapa	RP80756*
6	Cam / Leva	RP70107
7	Cam washer / Arandela de leva	RP70108
8	Mixer ball / Bola de la mezcladora	RP22007
9	Seat & Spring / Base y resorte	RP22008
10	Gasket / Junta	RP80751
11	Aerator / Aireador	RP30190*
12	Nut / Tuerca	RP56150
13	Lift rod & Lift Rod knob / Perilla de la varilla de extensión & Varilla de elevación	RP40006*
14	Pop-up Assembly Less Lift Rod / AEnsamble del Desagüe Automático Menos la Barra de Alzar	RP40001*



* Specify Finish
* Especifique el Acabado



Product Spec Sheet

TEL: 855-806-0688 FAX: 845-350-4043

Visit Our Web Site : www.plumb4orce.com